

**BOX - VERSION 2**

**MODULAR**  
**ELSTEEL**  
**ENCLOSURES**

# Industrial Jewelry

by **ELSTEEL**

The new double bended edges are gentle to the hands of the panel builder and the end user !



**Mild Steel box IP 65 - RAL 7035**

**Stainless Steel box IP 66 and IP 69K**

**Mild Steel Terminal boxes**

**Stainless Steel Terminal boxes**

**Doors opens 120°**

**Hinged right or left**

**Vast range of sizes**

**Vast range of inserts**

**Special colours / Sizes / Holes**



**VERSION 2 BOX IP65**

**VERSION 2 BOX IP65**

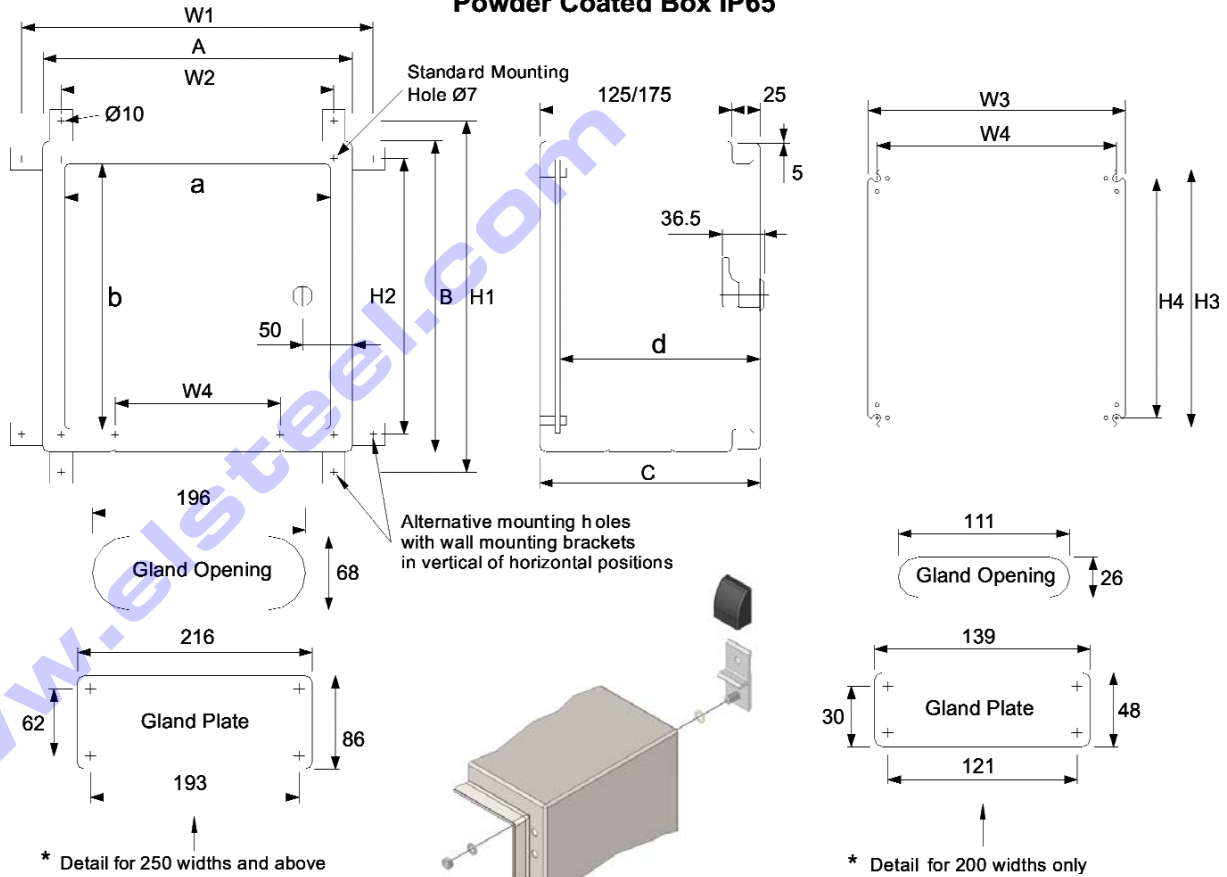
**VERSION 2 BOX IP65**

Door sizes above 800x1000 are supplied with Stiffeners  
RAL 7035 Fine Textured  
FL 21 Glands Standard / bigger glands available  
In some countries wall mounting brackets are not included.

TYPE	SIZE (WIDTH×HEIGHT×DEPTH)	LOCKS	No. OF GLANDS	WEIGHT kg	QTY	ORDER No. RAL 7035 Fine Tex.
BOX 2.2-150 V2	200 × 200 × 150	1	1	2.91	1	55500
BOX 2.3-150 V2	200 × 300 × 150	1	1	3.97	1	55520
BOX 2.5.3-150 V2	250 × 300 × 150	1	1	4.92	1	55550
BOX 3.3-150 V2	300 × 300 × 150	1	1	5.63	1	55580
BOX 3.3-175 V2	300 × 300 × 175	1	1	5.94	1	55590
BOX 3.3-200 V2	300 × 300 × 200	1	1	6.24	1	55600
BOX 3.4-150 V2	300 × 400 × 150	2	1	7.06	1	55610
BOX 3.4-175 V2	300 × 400 × 175	2	1	7.41	1	55620
BOX 3.4-200 V2	300 × 400 × 200	2	1	7.77	1	55630
BOX 3.5-250 V2	300 × 500 × 250	2	1	5.36	1	55670
BOX 4.3-150 V2	400 × 300 × 150	1	1	7.06	1	55680
BOX 4.3-175 V2	400 × 300 × 175	1	1	7.41	1	55690
BOX 4.3-200 V2	400 × 300 × 200	1	1	7.77	1	55700
BOX 4.4-150 V2	400 × 400 × 150	2	1	8.86	1	55710
BOX 4.4-175 V2	400 × 400 × 175	2	1	9.27	1	55720
BOX 4.4-200 V2	400 × 400 × 200	2	1	9.67	1	55730
BOX 4.5-150 V2	400 × 500 × 150	2	1	10.66	1	55740
BOX 4.5-175 V2	400 × 500 × 175	2	1	11.12	1	55750
BOX 4.5-200 V2	400 × 500 × 200	2	1	11.57	1	55760
BOX 4.5-250 V2	400 × 500 × 250	2	1	13.77	1	55770
BOX 4.6-200 V2	400 × 600 × 200	2	1	15.87	1	55810
BOX 4.6-250 V2	400 × 600 × 250	2	1	17.13	1	55820
BOX 4.6-300 V2	400 × 600 × 300	2	1	17.48	1	55830
BOX 4.7-200 V2	400 × 700 × 200	2	1	18.09	1	55860
BOX 5.5-200 V2	500 × 500 × 200	2	1	18.52	1	56000
BOX 5.6-200 V2	500 × 600 × 200	2	1	18.94	1	56040
BOX 5.7-200 V2	500 × 700 × 200	2	1	21.59	1	56060
BOX 5.7-250 V2	500 × 700 × 250	2	1	23.11	1	56070
BOX 6.4-200 V2	600 × 400 × 200	2	2	16.18	1	56150
BOX 6.4-300 V2	600 × 400 × 300	2	2	18.71	1	56170
BOX 6.5-200 V2	600 × 500 × 200	2	2	19.25	1	56180
BOX 6.6-200 V2	600 × 600 × 200	2	2	22.32	1	56190
BOX 6.6-300 V2	600 × 600 × 300	2	2	25.37	1	56210
BOX 6.7-200 V2	600 × 700 × 200	2	2	25.49	1	56220
BOX 6.8-200 V2	600 × 800 × 200	3	2	28.57	1	56230
BOX 6.8-250 V2	600 × 800 × 250	3	2	30.35	1	56240
BOX 6.8-300 V2	600 × 800 × 300	3	2	32.13	1	56250
BOX 6.10-200 V2	600 × 1000 × 200	3	2	34.75	1	56260
BOX 6.10-300 V2	600 × 1000 × 300	3	2	38.81	1	56280
BOX 6.12-200 V2	600 × 1200 × 200	3	2	40.92	1	56290
BOX 8.8-300 V2	800 × 800 × 300	3	2	46.20	1	56390
BOX 8.10-200 V2	800 × 1000 × 200	3	2	44.45	1	56400
BOX 8.10-250 V2	800 × 1000 × 250	3	2	46.73	1	56410
BOX 8.10-300 V2	800 × 1000 × 300	3	2	49.02	1	56430

# INSTRUCTIONS

## MAIN DIMENSIONS Powder Coated Box IP65



TYPE	OVERALL SIZE			OPENING DEPTH			MOUNTING HOLE POSITIONS				MOUNTING PLATE HOLE SIZE				LOCKS	WEIGHT kg	ORDER No. RAL 7035 Fine Tex.
	A	B	C	a	b	d	W1	W2	H1	H2	W3	H3	W4	H4			
BOX 2.2-150 V2	200	200	150	150	150	135	240	160	240	160	148	148	125	125	1	2.91	55500
BOX 2.3-150 V2	200	300	150	150	250	135	240	160	340	260	148	248	125	225	1	3.97	55520
BOX 2.5-3-150 V2	250	300	150	200	250	135	290	210	340	260	198	248	175	225	1	4.92	55550
BOX 3.3-150 V2	300	300	150	250	250	135	340	260	340	260	248	248	225	225	1	5.63	55580
BOX 3.3-175 V2	300	300	175	250	250	160	340	260	340	260	248	248	225	225	1	5.94	55590
BOX 3.3-200 V2	300	300	200	250	250	185	340	260	340	260	248	248	225	225	1	6.24	55600
BOX 3.4-150 V2	300	400	150	250	350	135	340	260	440	360	248	348	225	325	2	7.06	55610
BOX 3.4-175 V2	300	400	175	250	350	160	340	260	440	360	248	348	225	325	2	7.41	55620
BOX 3.4-200 V2	300	400	200	250	350	185	340	260	440	360	248	348	225	325	2	7.77	55630
BOX 3.5-250 V2	300	500	250	250	450	235	340	260	540	460	248	448	225	425	2	5.36	55670
BOX 4.3-150 V2	400	300	150	350	250	135	440	360	340	260	348	248	325	225	1	7.06	55680
BOX 4.3-175 V2	400	300	175	350	250	160	440	360	340	260	348	248	325	225	1	7.41	55690
BOX 4.3-200 V2	400	300	200	350	250	185	440	360	340	260	348	248	325	225	1	7.77	55700
BOX 4.4-150 V2	400	400	150	350	350	135	440	360	440	360	348	348	325	325	2	8.86	55710
BOX 4.4-175 V2	400	400	175	350	350	160	440	360	440	360	348	348	325	325	2	9.27	55720
BOX 4.4-200 V2	400	400	200	350	350	185	440	360	440	360	348	348	325	325	2	9.67	55730
BOX 4.5-150 V2	400	500	150	350	450	135	440	360	540	460	348	448	325	425	2	10.66	55740
BOX 4.5-175 V2	400	500	175	350	450	160	440	360	540	460	348	448	325	425	2	11.12	55750
BOX 4.5-200 V2	400	500	200	350	450	185	440	360	540	460	348	448	325	425	2	11.57	55760
BOX 4.5-250 V2	400	500	250	350	450	235	440	360	540	460	348	448	325	425	2	13.77	55770
BOX 4.6-200 V2	400	600	200	350	550	185	440	360	640	560	348	548	325	525	2	15.87	55810
BOX 4.6-250 V2	400	600	250	350	550	235	440	360	640	560	348	548	325	525	2	17.13	55820
BOX 4.6-300 V2	400	600	300	350	550	285	440	360	640	560	348	548	325	525	2	17.48	55830
BOX 4.7-200 V2	400	700	200	350	650	185	440	360	740	660	348	648	325	625	2	18.09	55860
BOX 5.5-200 V2	500	500	200	450	450	185	540	460	540	460	448	448	425	425	2	18.52	56000
BOX 5.6-200 V2	500	600	200	450	550	185	540	460	640	560	448	548	425	525	2	18.94	56040
BOX 5.7-200 V2	500	700	200	450	650	185	540	460	740	660	448	648	425	625	2	21.59	56060
BOX 5.7-250 V2	500	700	250	450	650	235	540	460	740	660	448	648	425	625	2	23.11	56070
BOX 6.4-200 V2	600	400	200	550	350	185	640	560	440	360	548	348	525	325	2	16.18	56150
BOX 6.4-300 V2	600	400	300	550	350	285	640	560	440	360	548	348	525	325	2	18.71	56170
BOX 6.5-200 V2	600	500	200	550	450	185	640	560	540	460	548	448	525	425	2	19.25	56180
BOX 6.6-200 V2	600	600	200	550	550	185	640	560	640	560	548	548	525	525	2	22.32	56190
BOX 6.6-300 V2	600	600	300	550	550	285	640	560	640	560	548	548	525	525	2	25.37	56210
BOX 6.7-200 V2	600	700	200	550	650	185	640	560	740	660	548	648	525	625	2	25.49	56220
BOX 6.8-200 V2	600	800	200	550	750	185	640	560	840	760	548	748	525	725	3	28.57	56230
BOX 6.8-250 V2	600	800	250	550	750	235	640	560	840	760	548	748	525	725	3	30.35	56240
BOX 6.8-300 V2	600	800	300	550	750	285	640	560	840	760	548	748	525	725	3	32.13	56250
BOX 6.10-200 V2	600	1000	200	550	950	185	640	560	1040	960	548	948	525	925	3	34.75	56260
BOX 6.10-300 V2	600	1000	300	550	950	285	640	560	1040	960	548	948	525	925	3	38.81	56280
BOX 6.12-200 V2	600	1200	200	550	1150	185	640	560	1240	1160	548	1148	525	1125	3	40.92	56290
BOX 8.8-300 V2	800	800	300	750	750	285	840	760	840	760	748	748	725	725	3	46.20	56390
BOX 8.10-200 V2	800	1000	200	750	950	185	840	760	1040	960	748	948	725	925	3	44.45	56400
BOX 8.10-250 V2	800	1000	250	750	950	235	840	760	1040	960	748	948	725	925	3	46.73	56410
BOX 8.10-300 V2	800	1000	300	750	950	285	840	760	1040	960	748	948	725	925	3	49.02	56430



**VERSION 2 BOX IP65  
WITH BIG GLAND  
POWDER COATED**

**VERSION 2 BOX  
MIT GROSSE FLANSCH**

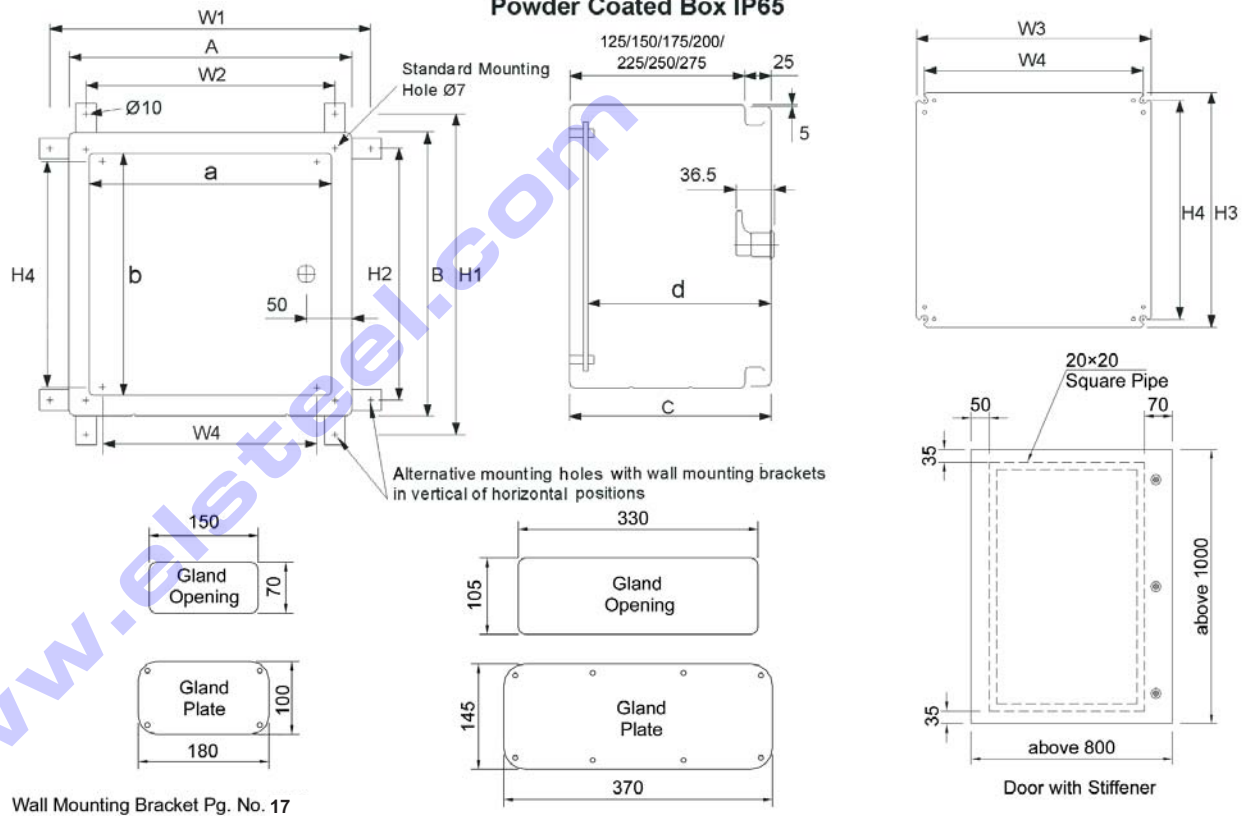
**VERSION 2 BOX IP65  
MED STOR FLANGE  
PULVER LAKERET**

Door sizes above 800×1000 are supplied with Stiffeners  
RAL 7035 Fine Textured  
In some countries wall mounting brackets are not included.

TYPE	SIZE (WIDTH×HEIGHT×DEPTH)	LOCKS	GLAND OPENING SIZE	No. OF GLANDS	WEIGHT kg	QTY	ORDER No. RAL 7035 Fine Tex.
BOX 2.2-150 BG	200 × 200 × 150	1	150×70	1	2.91	1	57500
BOX 2.3-150 BG	200 × 300 × 150	1	150×70	1	3.97	1	57520
BOX 2,5.3-150 BG	250 × 300 × 150	1	150×70	1	4.92	1	57550
BOX 3.3-150 BG	300 × 300 × 150	1	150×70	1	5.63	1	57580
BOX 3.3-175 BG	300 × 300 × 175	1	150×70	1	5.94	1	57590
BOX 3.3.200 BG	300 × 300 × 200	1	150×70	1	6.24	1	57600
BOX 3.4-150 BG	300 × 400 × 150	2	150×70	1	7.06	1	57610
BOX 3.4-175 BG	300 × 400 × 175	2	150×70	1	7.41	1	57620
BOX 3.4-200 BG	300 × 400 × 200	2	150×70	1	7.77	1	57630
BOX 3.5-250 BG	300 × 500 × 250	2	150×70	1	5.36	1	57670
BOX 4.3-150 BG	400 × 300 × 150	1	150×70	2	7.06	1	57680
BOX 4.3-175 BG	400 × 300 × 175	1	150×70	2	7.41	1	57690
BOX 4.3-200 BG	400 × 300 × 200	1	330×105	1	7.77	1	57700
BOX 4.4-150 BG	400 × 400 × 150	2	150×70	2	8.86	1	57710
BOX 4.4-175 BG	400 × 400 × 175	2	150×70	2	9.27	1	57720
BOX 4.4-200 BG	400 × 400 × 200	2	330×105	1	9.67	1	57730
BOX 4.5-150 BG	400 × 500 × 150	2	150×70	2	10.66	1	57740
BOX 4.5-175 BG	400 × 500 × 175	2	150×70	2	11.12	1	57750
BOX 4.5-200 BG	400 × 500 × 200	2	330×105	1	11.57	1	57760
BOX 4.5-250 BG	400 × 500 × 250	2	330×105	1	13.77	1	57770
BOX 4.6-200 BG	400 × 600 × 200	2	330×105	1	15.87	1	57810
BOX 4.6-250 BG	400 × 600 × 250	2	330×105	1	17.13	1	57820
BOX 4.6-300 BG	400 × 600 × 300	2	330×105	1	17.48	1	57830
BOX 4.7-200 BG	400 × 700 × 200	2	330×105	1	18.09	1	57860
BOX 5.5-200 BG	500 × 500 × 200	2	330×105	1	18.52	1	58000
BOX 5.6-200 BG	500 × 600 × 200	2	330×105	1	18.94	1	58040
BOX 5.7-200 BG	500 × 700 × 200	2	330×105	1	21.59	1	58060
BOX 5.7-250 BG	500 × 700 × 250	2	330×105	1	23.11	1	58070
BOX 6.4-200 BG	600 × 400 × 200	2	330×105	1	16.18	1	58150
BOX 6.4-300 BG	600 × 400 × 300	2	330×105	1	18.71	1	58170
BOX 6.5-200 BG	600 × 500 × 200	2	330×105	1	19.25	1	58180
BOX 6.6-200 BG	600 × 600 × 200	2	330×105	1	22.32	1	58190
BOX 6.6-300 BG	600 × 600 × 300	2	330×105	1	25.37	1	58210
BOX 6.7-200 BG	600 × 700 × 200	2	330×105	1	25.49	1	58220
BOX 6.8-200 BG	600 × 800 × 200	3	330×105	1	28.57	1	58230
BOX 6.8-250 BG	600 × 800 × 250	3	330×105	1	30.35	1	58240
BOX 6.8-300 BG	600 × 800 × 300	3	330×105	1	32.13	1	58250
BOX 6.10-200 BG	600 × 1000 × 200	3	330×105	1	34.75	1	58260
BOX 6.10-300 BG	600 × 1000 × 300	3	330×105	1	38.81	1	58280
BOX 6.12-200 BG	600 × 1200 × 200	3	330×105	1	40.92	1	58290
BOX 8.8-300 BG	800 × 800 × 300	3	330×105	2	46.20	1	58390
BOX 8.10-200 BG	800 × 1000 × 200	3	330×105	2	44.45	1	58400
BOX 8.10-250 BG	800 × 1000 × 250	3	330×105	2	46.73	1	58410
BOX 8.10-300 BG	800 × 1000 × 300	3	330×105	2	49.02	1	58430

# INSTRUCTIONS

## MAIN DIMENSIONS Powder Coated Box IP65



TYPE	OVERALL SIZE			OPENING DEPTH			MOUNTING HOLE POSITIONS				MOUNTING PLATE HOLE SIZE				LOCKS	WEIGHT kg	ORDER No. RAL 7035 Fine Tex.
	A	B	C	a	b	d	W1	W2	H1	H2	W3	H3	W4	H4			
BOX 2.2-150 BG	200	200	150	150	150	135	240	160	240	160	148	148	125	125	1	2.91	57500
BOX 2.3-150 BG	200	300	150	150	250	135	240	160	340	260	148	248	125	225	1	3.97	57520
BOX 2.5.3-150 BG	250	300	150	200	250	135	290	210	340	260	198	248	175	225	1	4.92	57550
BOX 3.3-150 BG	300	300	150	250	250	135	340	260	340	260	248	248	225	225	1	5.63	57580
BOX 3.3-175 BG	300	300	175	250	250	160	340	260	340	260	248	248	225	225	1	5.94	57590
BOX 3.3-200 BG	300	300	200	250	250	185	340	260	340	260	248	248	225	225	1	6.24	57600
BOX 3.4-150 BG	300	400	150	250	350	135	340	260	440	360	248	348	225	325	2	7.06	57610
BOX 3.4-175 BG	300	400	175	250	350	160	340	260	440	360	248	348	225	325	2	7.41	57620
BOX 3.4-200 BG	300	400	200	250	350	185	340	260	440	360	248	348	225	325	2	7.77	57630
BOX 3.5-250 BG	300	500	250	250	450	235	340	260	540	460	248	448	225	425	2	5.36	57670
BOX 4.3-150 BG	400	300	150	350	250	135	440	360	340	260	348	248	325	225	1	7.06	57680
BOX 4.3-175 BG	400	300	175	350	250	160	440	360	340	260	348	248	325	225	1	7.41	57690
BOX 4.3-200 BG	400	300	200	350	250	185	440	360	340	260	348	248	325	225	1	7.77	57700
BOX 4.4-150 BG	400	400	150	350	350	135	440	360	440	360	348	348	325	325	2	8.86	57710
BOX 4.4-175 BG	400	400	175	350	350	160	440	360	440	360	348	348	325	325	2	9.27	57720
BOX 4.4-200 BG	400	400	200	350	350	185	440	360	440	360	348	348	325	325	2	9.67	57730
BOX 4.5-150 BG	400	500	150	350	450	135	440	360	540	460	348	448	325	425	2	10.66	57740
BOX 4.5-175 BG	400	500	175	350	450	160	440	360	540	460	348	448	325	425	2	11.12	57750
BOX 4.5-200 BG	400	500	200	350	450	185	440	360	540	460	348	448	325	425	2	11.57	57760
BOX 4.5-250 BG	400	500	250	350	450	235	440	360	540	460	348	448	325	425	2	13.77	57770
BOX 4.6-200 BG	400	600	200	350	550	185	440	360	640	560	348	548	325	525	2	15.87	57810
BOX 4.6-250 BG	400	600	250	350	550	235	440	360	640	560	348	548	325	525	2	17.13	57820
BOX 4.6-300 BG	400	600	300	350	550	285	440	360	640	560	348	548	325	525	2	17.48	57830
BOX 4.7-200 BG	400	700	200	350	650	185	440	360	740	660	348	648	325	625	2	18.09	57860
BOX 5.5-200 BG	500	500	200	450	450	185	540	460	540	460	448	448	425	425	2	18.52	58000
BOX 5.6-200 BG	500	600	200	450	550	185	540	460	640	560	448	548	425	525	2	18.94	58040
BOX 5.7-200 BG	500	700	200	450	650	185	540	460	740	660	448	648	425	625	2	21.59	58060
BOX 5.7-250 BG	500	700	250	450	650	235	540	460	740	660	448	648	425	625	2	23.11	58070
BOX 6.4-200 BG	600	400	200	550	350	185	640	560	440	360	548	348	525	325	2	16.18	58150
BOX 6.4-300 BG	600	400	300	550	350	285	640	560	440	360	548	348	525	325	2	18.71	58170
BOX 6.5-200 BG	600	500	200	550	450	185	640	560	540	460	548	448	525	425	2	19.25	58180
BOX 6.6-200 BG	600	600	200	550	550	185	640	560	640	560	548	548	525	525	2	22.32	58190
BOX 6.6-300 BG	600	600	300	550	550	285	640	560	640	560	548	548	525	525	2	25.37	58210
BOX 6.7-200 BG	600	700	200	550	650	185	640	560	740	660	548	648	525	625	2	25.49	58220
BOX 6.8-200 BG	600	800	200	550	750	185	640	560	840	760	548	748	525	725	3	28.57	58230
BOX 6.8-250 BG	600	800	250	550	750	235	640	560	840	760	548	748	525	725	3	30.35	58240
BOX 6.8-300 BG	600	800	300	550	750	285	640	560	840	760	548	748	525	725	3	32.13	58250
BOX 6.10-200 BG	600	1000	200	550	950	185	640	560	1040	960	548	948	525	925	3	34.75	58260
BOX 6.10-300 BG	600	1000	300	550	950	285	640	560	1040	960	548	948	525	925	3	38.81	58280
BOX 6.12-200 BG	600	1200	200	550	1150	185	640	560	1240	1160	548	1148	525	1125	3	40.92	58290
BOX 8.8-300 BG	800	800	300	750	750	285	840	760	840	760	748	748	725	725	3	46.20	58390
BOX 8.10-200 BG	800	1000	200	750	950	185	840	760	1040	960	748	948	725	925	3	44.45	58400
BOX 8.10-250 BG	800	1000	250	750	950	235	840	760	1040	960	748	948	725	925	3	46.73	58410
BOX 8.10-300 BG	800	1000	300	750	950	285	840	760	1040	960	748	948	725	925	3	49.02	58430



## COMBI RAILS

## COMBI SCHIENEN

## KOMBI SKINNER

TYPE	DESCRIPTION	SIZE (W×H)	WEIGHT kg	QTY	ORDER No. RAL 7035 Fine Tex.
CR 2.2	COMBI RAILS	200 × 200	0.49	1 SET	54300
CR 2.3	COMBI RAILS	200 × 300	0.63	1 SET	54310
CR 2,5,3	COMBI RAILS	250 × 300	0.70	1 SET	54320
CR 3.3	COMBI RAILS	300 × 300	0.77	1 SET	54330
CR 3.4	COMBI RAILS	300 × 400	0.92	1 SET	54340
CR 4.3	COMBI RAILS	400 × 300	0.92	1 SET	54350
CR 4.4	COMBI RAILS	400 × 400	1.06	1 SET	54360
CR 4.5	COMBI RAILS	400 × 500	1.20	1 SET	54370
CR 4.6	COMBI RAILS	400 × 600	1.35	1 SET	54380
CR 5.6	COMBI RAILS	500 × 600	1.49	1 SET	54390
CR 5.7	COMBI RAILS	500 × 700	1.63	1 SET	54400
CR 6.4	COMBI RAILS	600 × 400	1.35	1 SET	54410
CR 6.5	COMBI RAILS	600 × 500	1.49	1 SET	54420
CR 6.6	COMBI RAILS	600 × 600	1.63	1 SET	54430
CR 6.7	COMBI RAILS	600 × 700	1.77	1 SET	54440
CR 6.8	COMBI RAILS	600 × 800	1.92	1 SET	54450
CR 6.10	COMBI RAILS	600 × 1000	2.20	1 SET	54460
CR 8.8	COMBI RAILS	800 × 800	2.20	1 SET	54470
CR 8.10	COMBI RAILS	800 × 1000	2.49	1 SET	54480



## CHASSIS PROFILE DB 2 TYPE

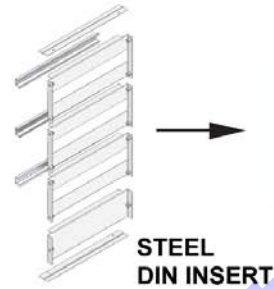
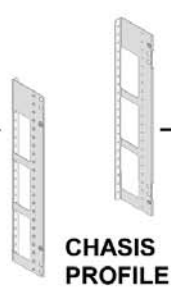
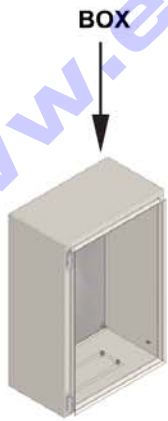
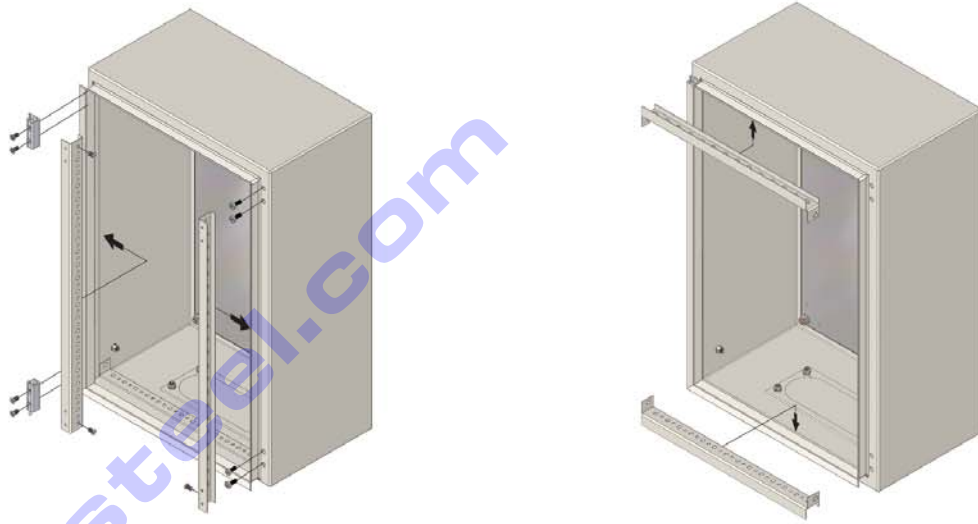
## RAHMEN FÜR DB 2

## RAMME FOR DB 2

TYPE	DESCRIPTION	MODULAR SIZE (H)	QTY	WEIGHT kg	ORDER No. 300 WIDTH	ORDER No. 400 WIDTH	ORDER No. 500 WIDTH	ORDER No. 600 WIDTH	ORDER No. 800 WIDTH
CPDB 200	CHASSIS PROF. DB 2 TYPE	200	1 SET	0.3	65202	65200	65203	65201	65204
CPDB 400	CHASSIS PROF. DB 2 TYPE	400	1 SET	1.1	65207	65205	65208	65206	65209
CPDB 600	CHASSIS PROF. DB 2 TYPE	600	1 SET	2.3	65212	65210	65213	65211	65214
CPDB 800	CHASSIS PROF. DB 2 TYPE	800	1 SET	2.5	65217	65215	65218	65216	65219
CPDB 1000	CHASSIS PROF. DB 2 TYPE	1000	1 SET	2.8	65222	65220	65223	65221	65224



# INSTRUCTIONS



**DB 2 TYPE**

**STEEL BLANK FRONT PLATE**

**ADJUSTABLE MOUNTING PLATE**





## DIN INSERT DB 2 TYPE

## DIN EINSATS FÜR DB 2

## DIN INDSATS FOR DB 2

TYPE	DESCRIPTION	UNITS	SIZE (W×H)	WEIGHT kg	QTY	ORDER No.
SDDB 3.15	DIN INSERT DB 2 TYPE	12	300×150	0.40	1SET	65305
SDDB 4.15	DIN INSERT DB 2 TYPE	18	400×150	0.51	1SET	65300
SDDB 5.15	DIN INSERT DB 2 TYPE	23	500×150	0.67	1SET	65325
SDDB 6.15	DIN INSERT DB 2 TYPE	29	600×150	0.83	1SET	65320
SDDB 8.15	DIN INSERT DB 2 TYPE	40	800×150	1.10	1SET	65340
SDDB 3.20	DIN INSERT DB 2 TYPE	12	300×200	0.52	1SET	65315
SDDB 4.20	DIN INSERT DB 2 TYPE	18	400×200	0.75	1SET	65310
SDDB 5.20	DIN INSERT DB 2 TYPE	23	500×200	0.86	1SET	65335
SDDB 6.20	DIN INSERT DB 2 TYPE	29	600×200	1.04	1SET	65330
SDDB 8.20	DIN INSERT DB 2 TYPE	40	800×200	1.41	1SET	65345



## BLANK FRONT PLATE DB 2

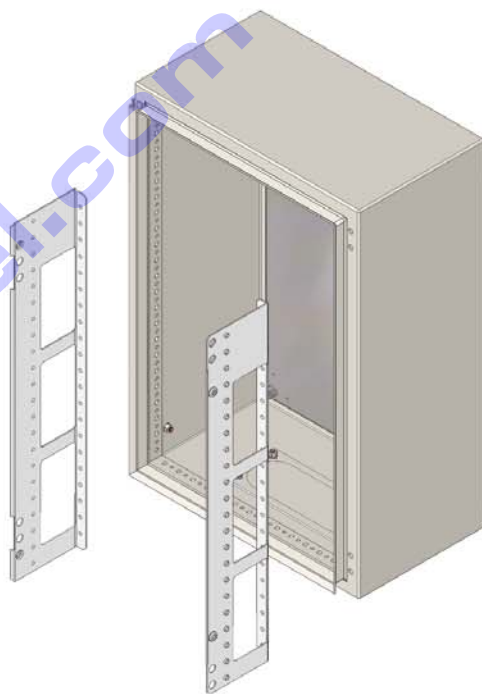
## ABDECKNING FÜR DB 2

## AFDÆKNING FOR DB 2

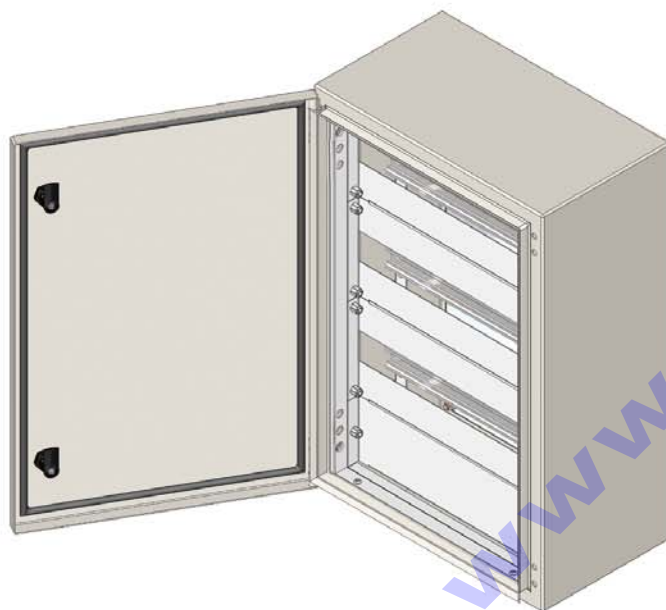
TYPE	DESCRIPTION	SIZE (W×H)	WEIGHT kg	QTY	ORDER No.
SBDB 3.15	BLANK FRONT PLATE DB 2 TYPE	300×150	0.39	01	65545
SBDB 4.15	BLANK FRONT PLATE DB 2 TYPE	400×150	0.56	01	65500
SBDB 5.15	BLANK FRONT PLATE DB 2 TYPE	500×150	0.69	01	65565
SBDB 6.15	BLANK FRONT PLATE DB 2 TYPE	600×150	0.76	01	65520
SBDB 8.15	BLANK FRONT PLATE DB 2 TYPE	800×150	1.02	01	65582
SBDB 3.30	BLANK FRONT PLATE DB 2 TYPE	300×300	0.83	01	65550
SBDB 4.30	BLANK FRONT PLATE DB 2 TYPE	400×300	1.02	01	65505
SBDB 5.30	BLANK FRONT PLATE DB 2 TYPE	500×300	1.28	01	65570
SBDB 6.30	BLANK FRONT PLATE DB 2 TYPE	600×300	1.56	01	65525
SBDB 8.30	BLANK FRONT PLATE DB 2 TYPE	800×300	2.24	01	65584
SBDB 3.45	BLANK FRONT PLATE DB 2 TYPE	300×450	1.17	01	65555
SBDB 4.45	BLANK FRONT PLATE DB 2 TYPE	400×450	1.53	01	65510
SBDB 5.45	BLANK FRONT PLATE DB 2 TYPE	500×450	2.08	01	65575
SBDB 6.45	BLANK FRONT PLATE DB 2 TYPE	600×450	2.29	01	65530
SBDB 8.45	BLANK FRONT PLATE DB 2 TYPE	800×450	3.36	01	65586
SBDB 3.60	BLANK FRONT PLATE DB 2 TYPE	300×600	1.56	01	65560
SBDB 4.60	BLANK FRONT PLATE DB 2 TYPE	400×600	2.05	01	65515
SBDB 5.60	BLANK FRONT PLATE DB 2 TYPE	500×600	2.78	01	65580
SBDB 6.60	BLANK FRONT PLATE DB 2 TYPE	600×600	3.06	01	65535
SBDB 8.60	BLANK FRONT PLATE DB 2 TYPE	800×600	4.10	01	65588

# INSTRUCTIONS

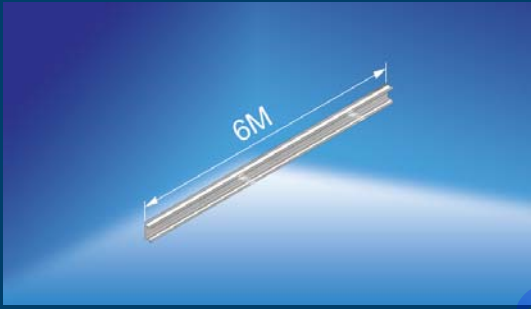
①



②

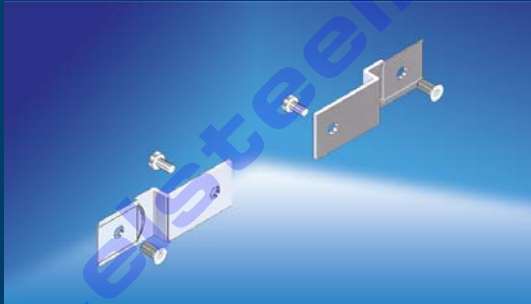


For more options Please see the Techno-Light DB2 brochure.



**FULL LENGTH DIN RAIL**  
**GANZE DIN SCHIENE**  
**HEL LÆNGDE DIN SKINNE**

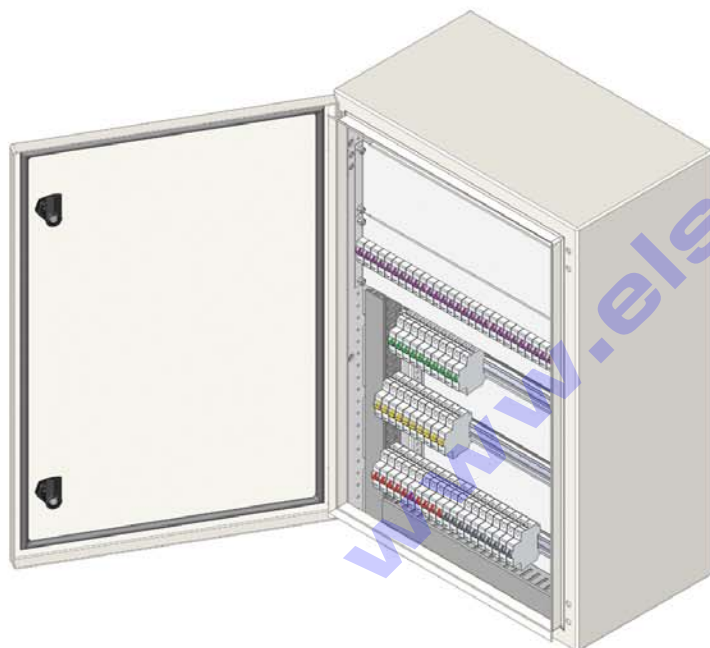
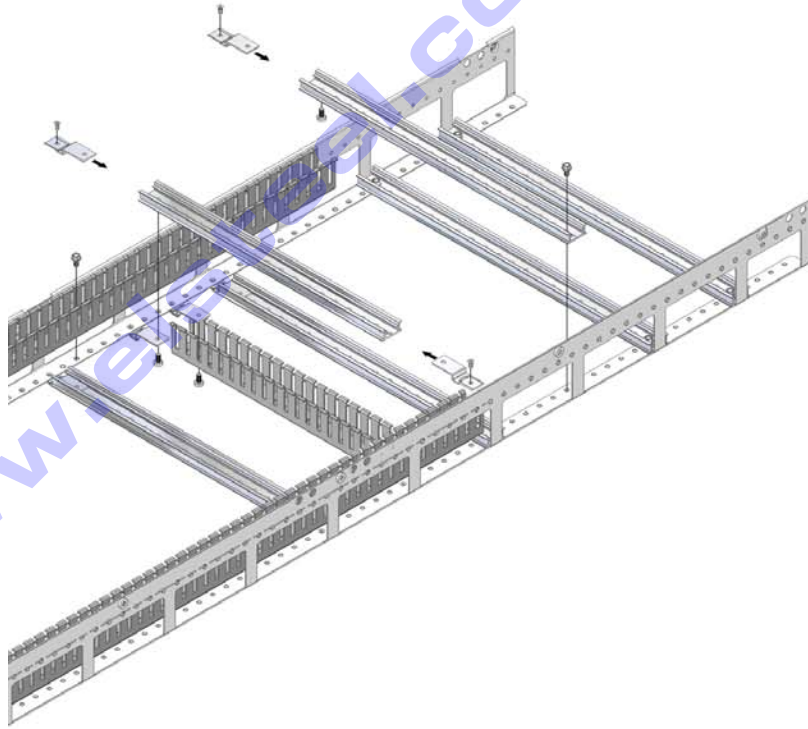
TYPE	DESCRIPTION	LENGTH (M)	WEIGHT kg	QTY	ORDER No.
ALDR	DIN RAIL	6	2.24	01	65350



**BRACKET FOR  
DIN RAIL**  
**BESCHLÄGE FÜR  
DIN RAIL**  
**BESLAG FOR  
DIN SKINNE**

TYPE	DESCRIPTION	WEIGHT kg	QTY	ORDER No.
BCDB	BRACKET FOR DIN RAIL	0.06	1SET	65591

# INSTRUCTIONS





## GLASS DOOR

## SICHTTÜREN

## LÅGE MED RUDE

TYPE	DESCRIPTION	SIZE (W×H)	WEIGHT kg	QTY	ORDER No.
BGD 4.2 V2	GLASS DOOR V2	400 × 200	1.20	1	51900
BGD 4.4 V2	GLASS DOOR V2	400 × 400	2.27	1	51910
BGD 4.6 V2	GLASS DOOR V2	400 × 600	4.04	1	51920
BGD 6.2 V2	GLASS DOOR V2	600 × 200	2.10	1	51930
BGD 6.4 V2	GLASS DOOR V2	600 × 400	3.94	1	51940
BGD 6.6 V2	GLASS DOOR V2	600 × 600	5.77	1	51950
BGD 6.8 V2	GLASS DOOR V2	600 × 800	7.61	1	51960

OTHER SIZES ON REQUEST



## INTERNAL DOOR

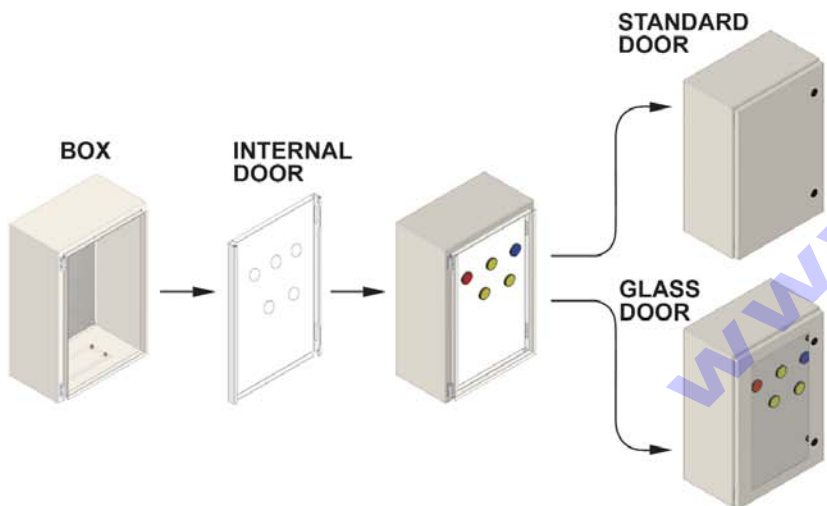
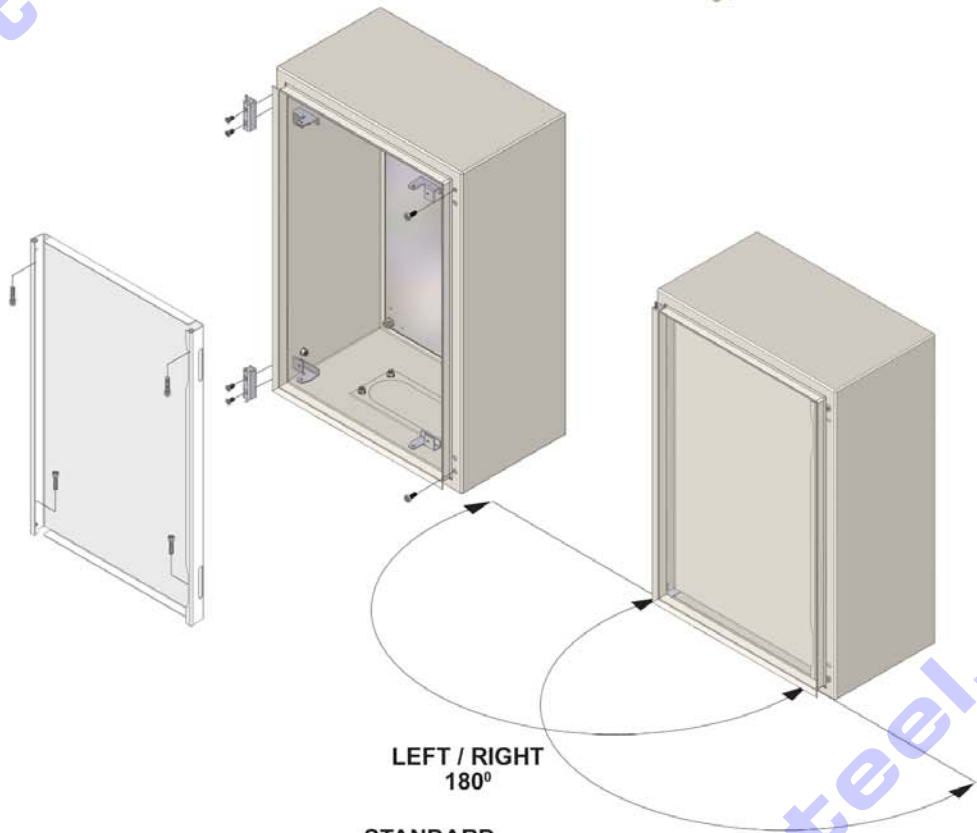
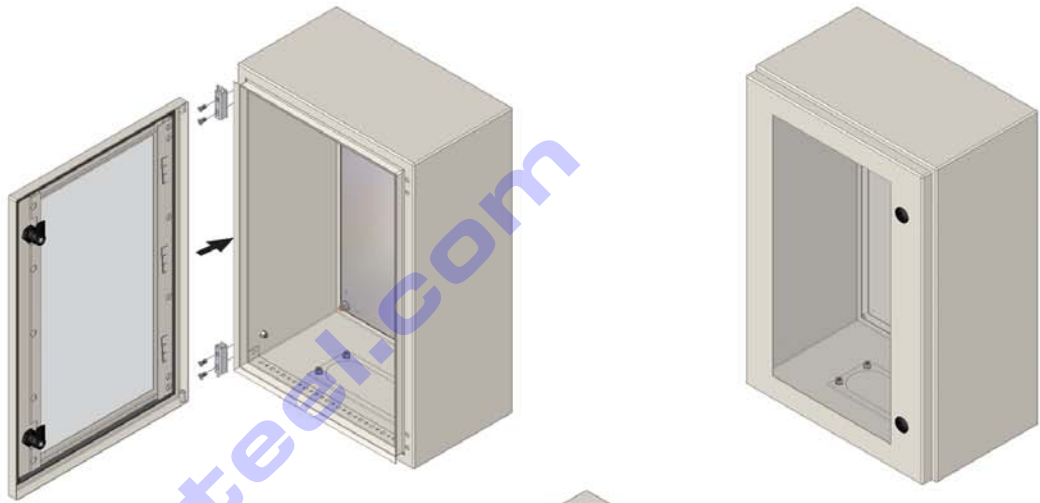
## INTERNE TÜR

## INDVENDIG DØR

TYPE	DESCRIPTION	SIZE (W×H)	WEIGHT kg	QTY	ORDER No.
ID 3.3	INTERNAL DOOR	300 × 300	1.24	1 SET	52515
ID 3.4	INTERNAL DOOR	300 × 400	1.67	1 SET	52520
ID 3.5	INTERNAL DOOR	300 × 500	2.09	1 SET	52525
ID 4.3	INTERNAL DOOR	400 × 300	1.62	1 SET	52530
ID 4.4	INTERNAL DOOR	400 × 400	2.18	1 SET	52535
ID 4.5	INTERNAL DOOR	400 × 500	2.74	1 SET	52540
ID 4.6	INTERNAL DOOR	400 × 600	3.30	1 SET	52545
ID 4.7	INTERNAL DOOR	400 × 700	3.86	1 SET	52550
ID 5.6	INTERNAL DOOR	500 × 600	4.07	1 SET	52555
ID 5.7	INTERNAL DOOR	500 × 700	4.77	1 SET	52560
ID 6.4	INTERNAL DOOR	600 × 400	3.19	1 SET	52565
ID 6.5	INTERNAL DOOR	600 × 500	4.02	1 SET	52570
ID 6.6	INTERNAL DOOR	600 × 600	4.85	1 SET	52575
ID 6.7	INTERNAL DOOR	600 × 700	5.68	1 SET	52580
ID 6.8	INTERNAL DOOR	600 × 800	6.51	1 SET	52585

OTHER SIZES ON REQUEST

# INSTRUCTIONS





**SQUARE LOCK INSERT**  
**TRIANGLE INSERT**  
**VIERECK - VERSCHLUSS**  
**DREIECK - VERSCHLUSS**  
**FIRKANT INDSATS**  
**TREKANTS INDSATS**

TYPE	DESCRIPTION	WEIGHT kg	QTY	ORDER No. Polyamide black	ORDER No. Stainless steel
SQI 8	SQUARE 8mm	0.02	1	12123	12125
SQI 6	SQUARE 6mm (Zinc Die Chrome Plated)	0.12	1	-	12127
TRI	TRIANGULAR 8mm	0.03	1	12124	12126



**KNOB LOCK**

**HAND VERSCHLUSS**

**HÅND LUKKE TØJ**

TYPE	DESCRIPTION	WEIGHT kg	QTY	ORDER No. Polyamide black
KL	KNOB LOCK	0.025	1	12120



**T - HANDLE LOCK**

**T - HAND VERSCHLUSS**

**T - HÅNDTAG MED LÅG**

TYPE	DESCRIPTION	WEIGHT kg	QTY	ORDER NO Non locking	ORDER No. Keyed alike	ORDER No. Keyed different
THLC	T-HANDLE LOCK - Chrome plated	0.16	1	12130	12131	12132
THLB	T-HANDLE LOCK - Polyamide black	0.1	1	12135	12136	12137



**KEY LOCK**

**SCHLUSSEL VERSCHLUSH**

**NØGLE LÅS**

TYPE	DESCRIPTION	WEIGHT kg	QTY	ORDER No. Keyed alike	ORDER No. Keyed different
KELS	KEY LOCK - Steel	0.05	1	12140	12141
KELP	KEY LOCK - Plastic	0.04	1	12143	12144



**BOX LOCK COVER**

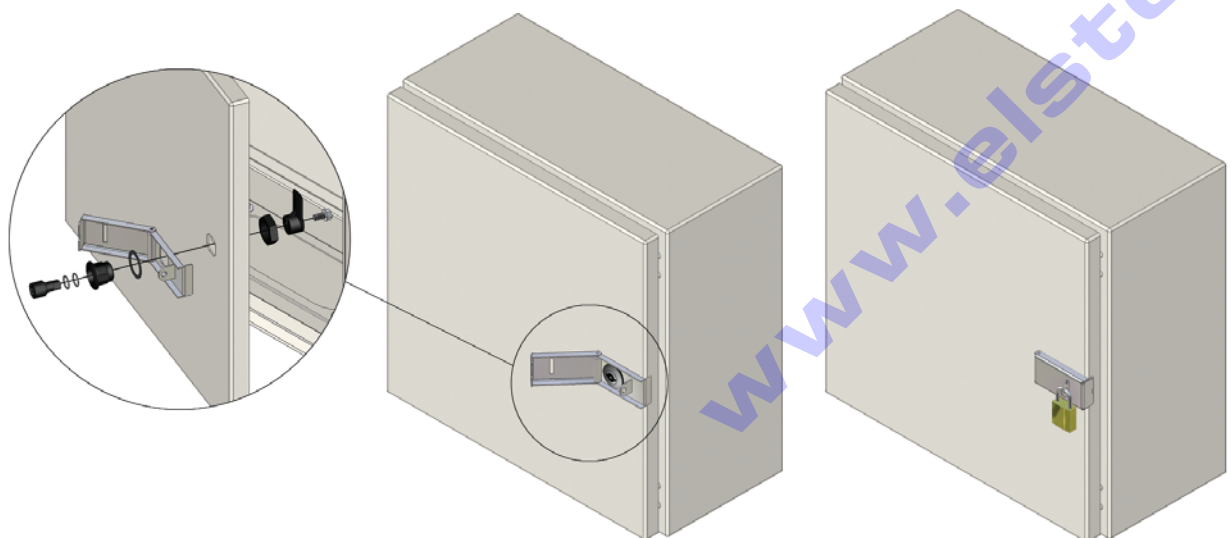
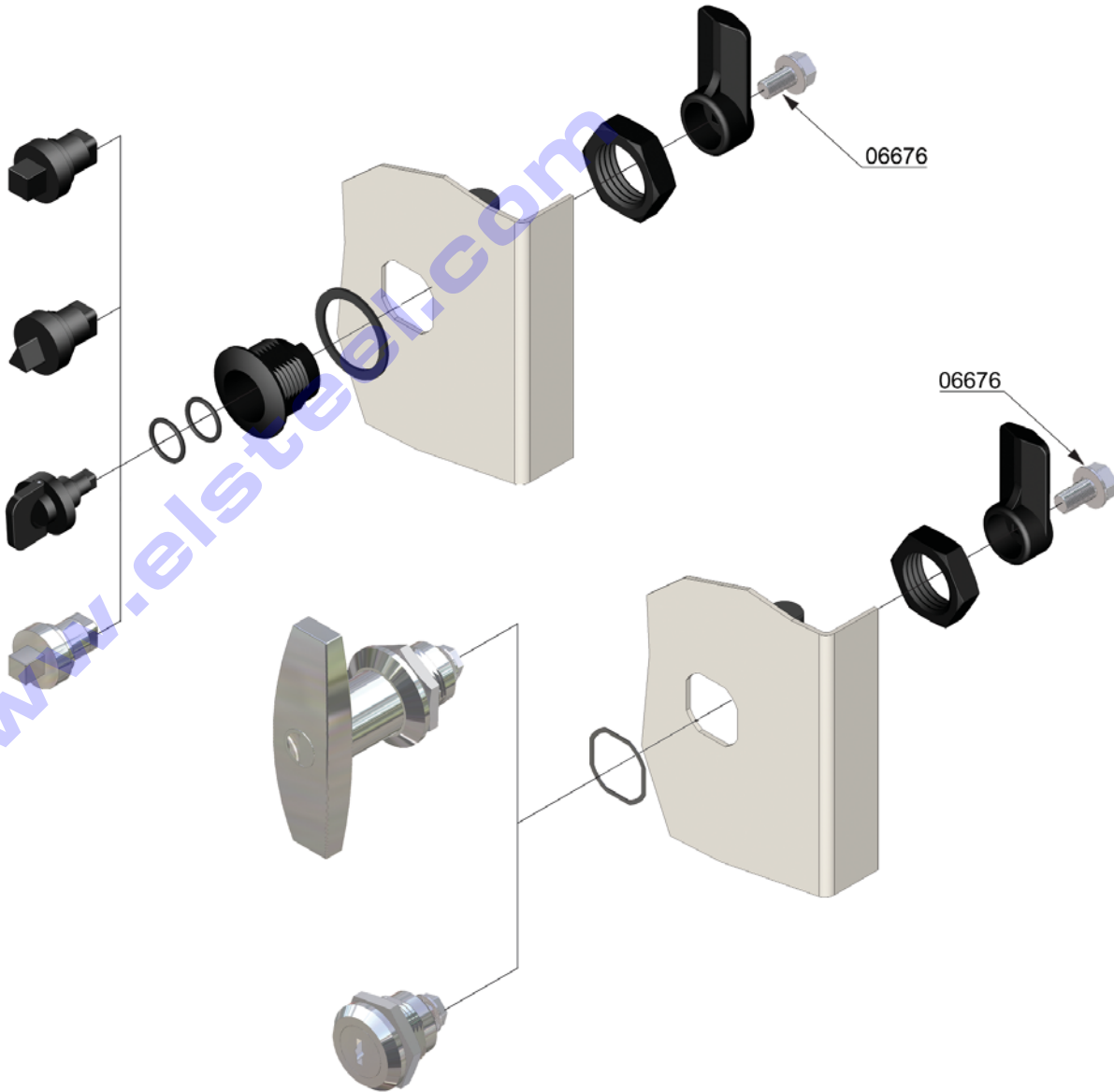
**WANSDSCHRANK-SCHLIESS-VORRICHTUNG**

**HÆNGELÅS BESLAG**

TYPE	DESCRIPTION	WEIGHT kg	QTY	ORDER No.
BCOV	BOX LOCK COVER	0.06	1	52303



# INSTRUCTIONS





**PADLOCK KIT**

**EINHÄNGESCHLOSS**

**HÆNGELÅS BESLAG**

TYPE	DESCRIPTION	WEIGHT kg	QTY	ORDER No.
PLK	S.S. PAD LOCK KIT	0.45	1 SET	52300



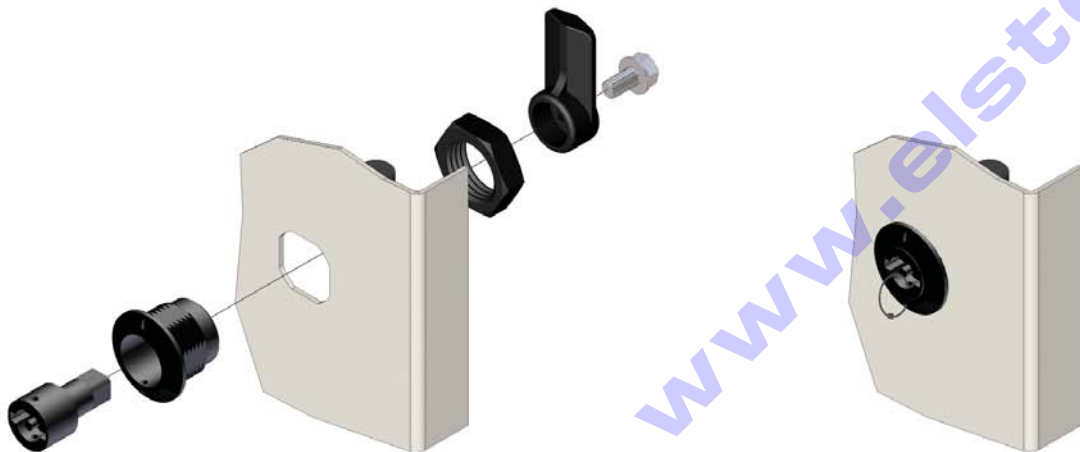
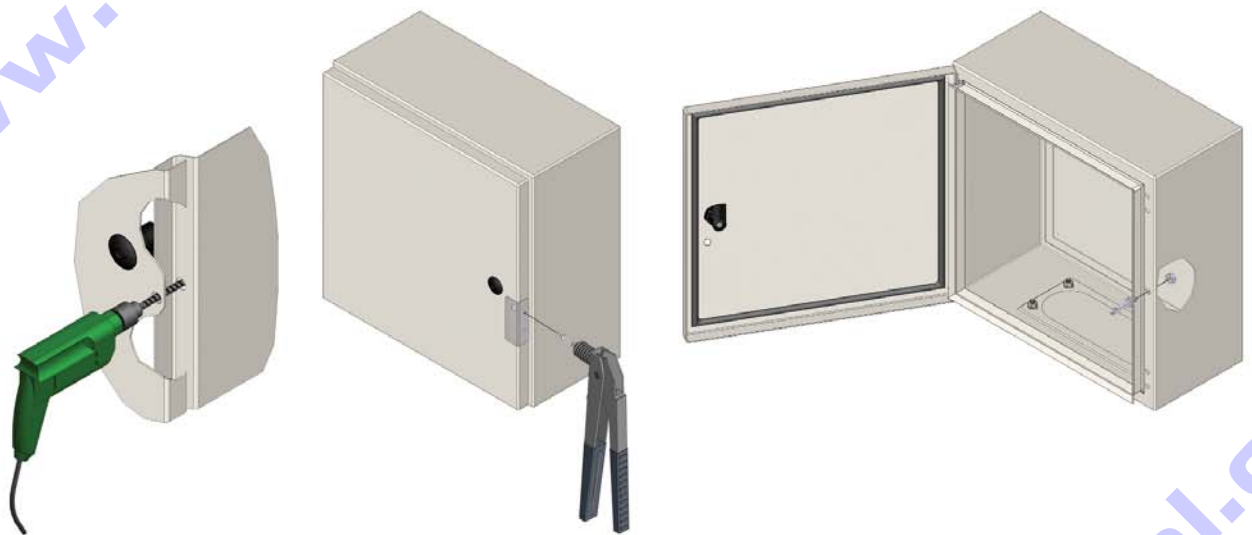
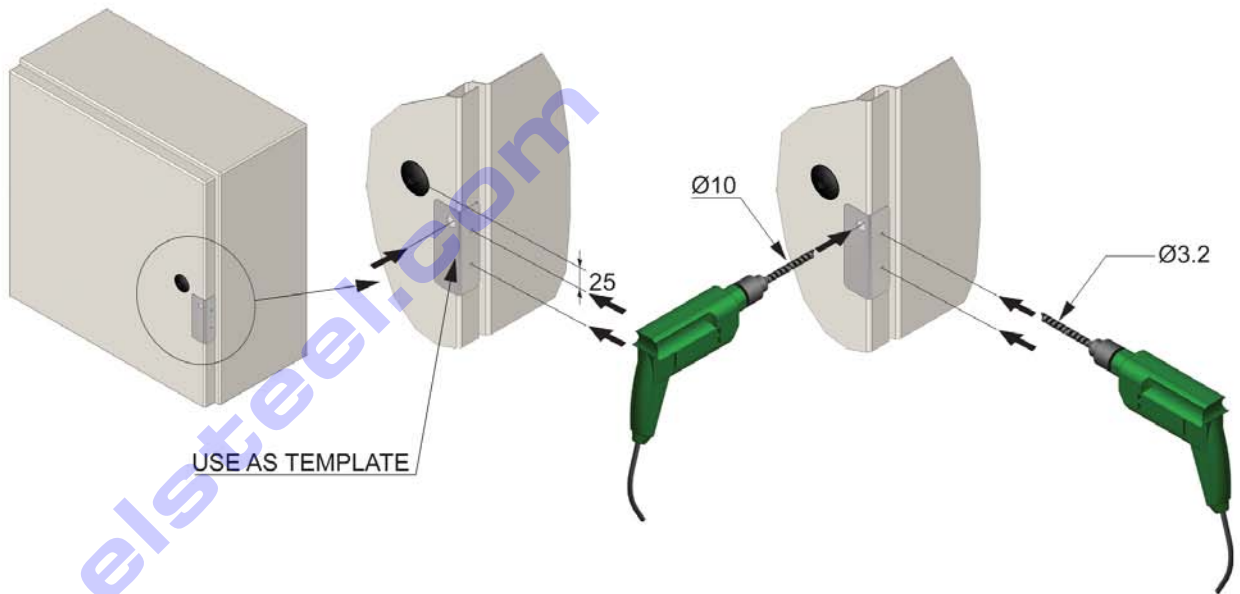
**DOOR SEAL SYSTEM**

**SCHLIESSVORRICHTUNG  
PLOMBIERBAR**

**PLOMBERINGS SÆT**

TYPE	DESCRIPTION	WEIGHT kg	QTY	ORDER No.
DSES	DOOR SEAL SYSTEM	0.1	1 SET	30855

# INSTRUCTIONS





## BOX DOOR STAY

TÜR HÄLTER

DØR HOLDER

TYPE	DESCRIPTION	DOOR WIDTH	LOAD	WEIGHT kg	QTY	ORDER No.
BDSL 3	BOX DOOR STAY - LIGHT DUTY	300	100 N	0.28	1 SET	52100
BDSL 4	BOX DOOR STAY - LIGHT DUTY	400	100 N	0.34	1 SET	52102
BDSL 5	BOX DOOR STAY - LIGHT DUTY	500	100 N	0.39	1 SET	52104
BDSL 6	BOX DOOR STAY - LIGHT DUTY	600	100 N	0.45	1 SET	52106
BDSL 8	BOX DOOR STAY - LIGHT DUTY	800	100 N	0.57	1 SET	52108
BDSL 10	BOX DOOR STAY - LIGHT DUTY	1000	100 N	0.69	1 SET	52110
BDSH 6	BOX DOOR STAY - HEAVY DUTY	600	150 N	0.45	1 SET	52120
BDSH 8	BOX DOOR STAY - HEAVY DUTY	800	150 N	0.57	1 SET	52122
BDSH 10	BOX DOOR STAY - HEAVY DUTY	1000	150 N	0.70	1 SET	52124

### SELECTION GUIDE

BOX HEIGHT	QTY
400	01
600	01
800	02
1000	02
1200	02

Can be use with MS and SS boxes



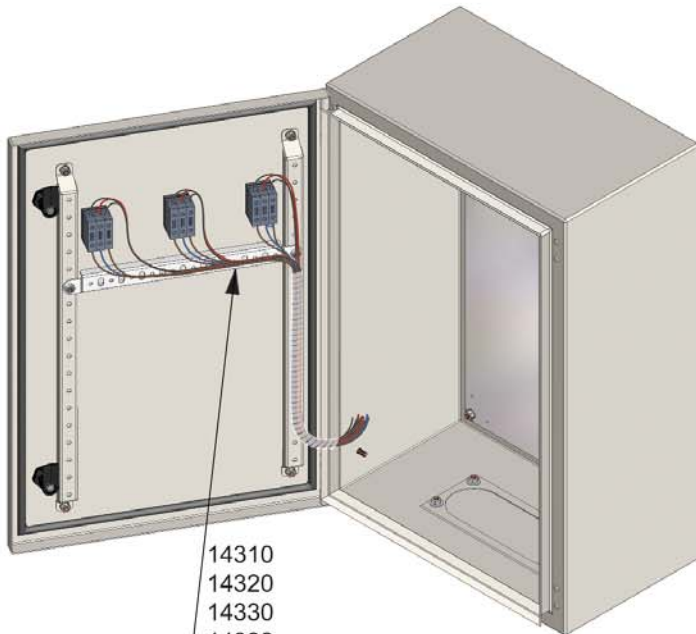
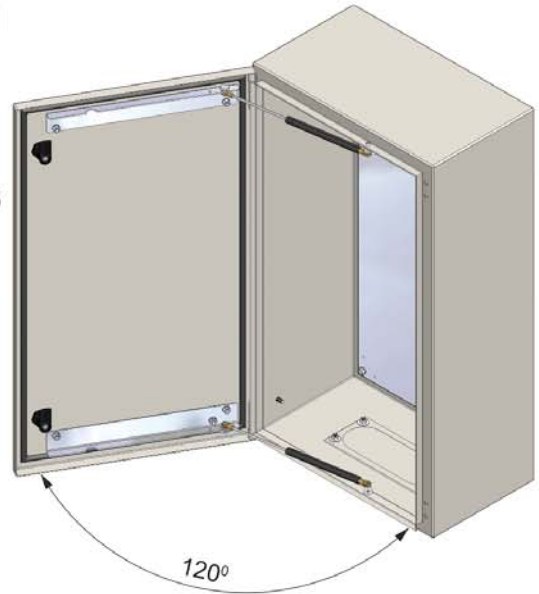
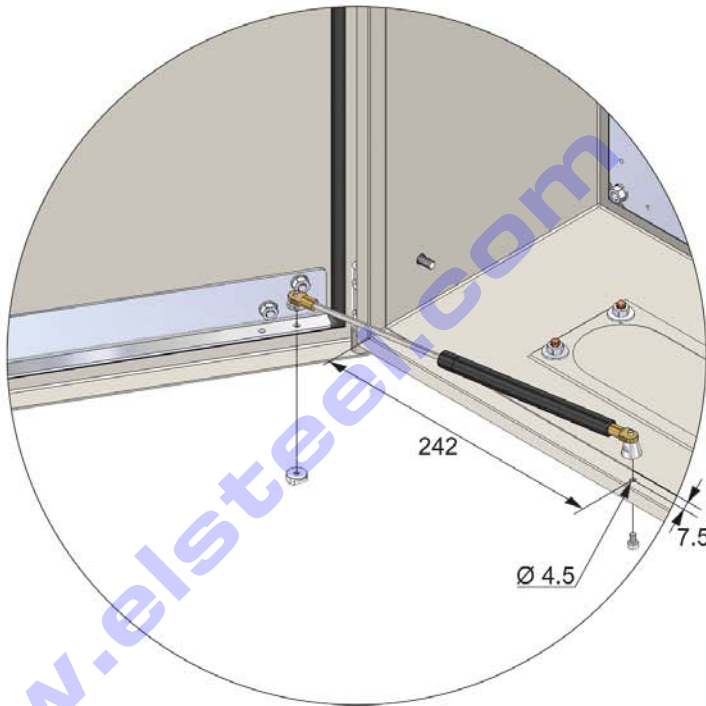
## BOX DOOR MOUNTING RAIL

BEFESTIGUNGSSCHIENEN  
FÜR WANDSCHRANKTÜREN

DØR MONTERINGS SKINNE

TYPE	DESCRIPTION	SIZE (HEIGHT)	WEIGHT kg	QTY	ORDER No. RAL 7035 Fine Tex.
BDMR 3	BOX DOOR MOUNTING RAIL	300	0.19	1	52710
BDMR 4	BOX DOOR MOUNTING RAIL	400	0.30	1	52720
BDMR 5	BOX DOOR MOUNTING RAIL	500	0.40	1	52730
BDMR 6	BOX DOOR MOUNTING RAIL	600	0.50	1	52740
BDMR 7	BOX DOOR MOUNTING RAIL	700	0.60	1	52750
BDMR 8	BOX DOOR MOUNTING RAIL	800	0.71	1	52760
BDMR 9	BOX DOOR MOUNTING RAIL	900	0.82	1	52770
BDMR 10	BOX DOOR MOUNTING RAIL	1000	0.90	1	52780
BDMR 11	BOX DOOR MOUNTING RAIL	1100	1.00	1	52790
BDMR 12	BOX DOOR MOUNTING RAIL	1200	1.11	1	52800

# INSTRUCTIONS



- 14310
- 14320
- 14330
- 14333
- 14340
- 14347
- 14350

## COMBINATIONS

BOX DOOR SIZE	DOOR MOUNTING RAIL SIZE	TM CABLE HOLDER SIZE
300 × 300	300	200
300 × 400	400	200
300 × 500	500	200
400 × 300	300	300
400 × 400	400	300
400 × 500	500	300
400 × 600	600	300
400 × 700	700	300
500 × 600	600	400
500 × 700	700	400
600 × 400	400	500
600 × 500	500	500
600 × 600	600	500
600 × 700	700	500
600 × 800	800	500
600 × 1000	1000	500
600 × 1200	1200	500
800 × 800	800	700
800 × 1000	900	700



## STAND OFF WALL MOUNTING BRACKET

### WANDBEFESTIGUNGS- HALTER

### VÆG-AFSTANDS- BESLAG

TYPE	DESCRIPTION	SIZE (HEIGHT)	WEIGHT kg	QTY	ORDER No. RAL 7035 Fine Tex
STWB 2	STAND OFF WALL MOUNTING BRACKET	200	0.43	1	52200
STWB 3	STAND OFF WALL MOUNTING BRACKET	300	0.64	1	52210
STWB 4	STAND OFF WALL MOUNTING BRACKET	400	0.86	1	52220
STWB 5	STAND OFF WALL MOUNTING BRACKET	500	1.07	1	52230
STWB 6	STAND OFF WALL MOUNTING BRACKET	600	1.28	1	52240
STWB 7	STAND OFF WALL MOUNTING BRACKET	700	1.50	1	52250
STWB 8	STAND OFF WALL MOUNTING BRACKET	800	1.71	1	52260
STWB 10	STAND OFF WALL MOUNTING BRACKET	1000	2.14	1	52270

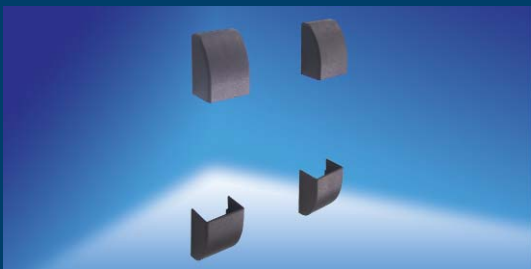


## BOX WALL MOUNTING BRACKET

### WANDBESCHLAG

### VÆG OPHÆNGS BESLAG

TYPE	DESCRIPTION	WEIGHT kg	QTY	ORDER No.
BWB	BOX WALL MOUNTING BRACKET (Aluminium)	0.40	1 SET	50594



## WALL MOUNTING BRACKET COVER

### ABDECKUNG FÜR WANDBESCHLAG

### SKJULER TIL VÆGBESLAG

TYPE	DESCRIPTION	WEIGHT kg	QTY	ORDER No.
WBC	WALL MOUNTING BRACKET COVER	0.1	1 SET	50595



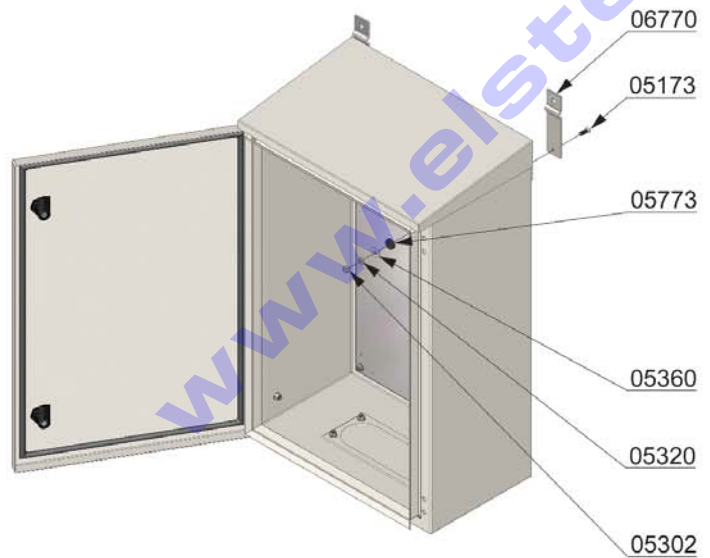
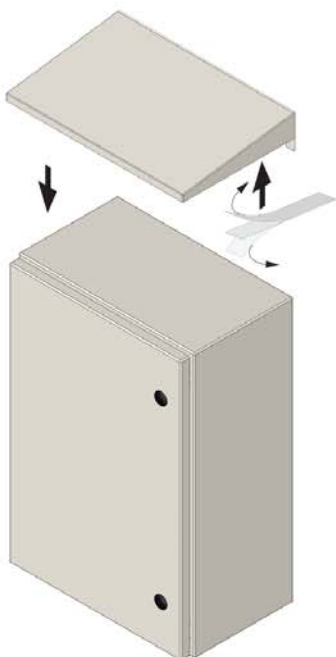
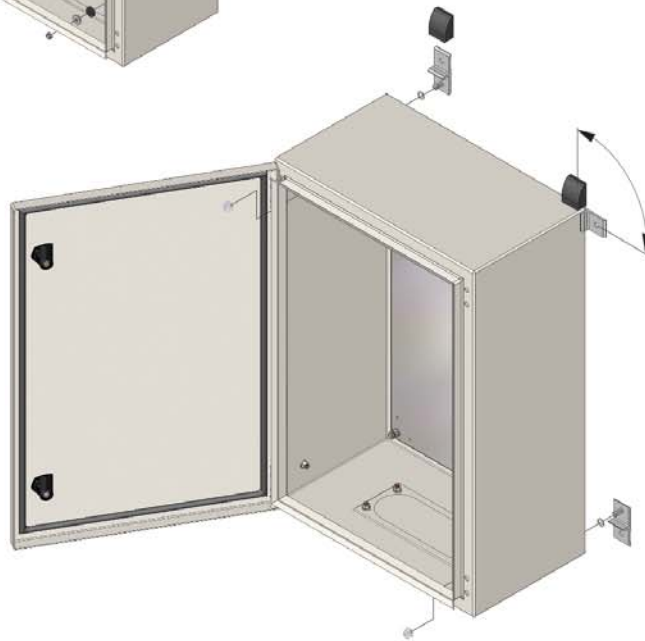
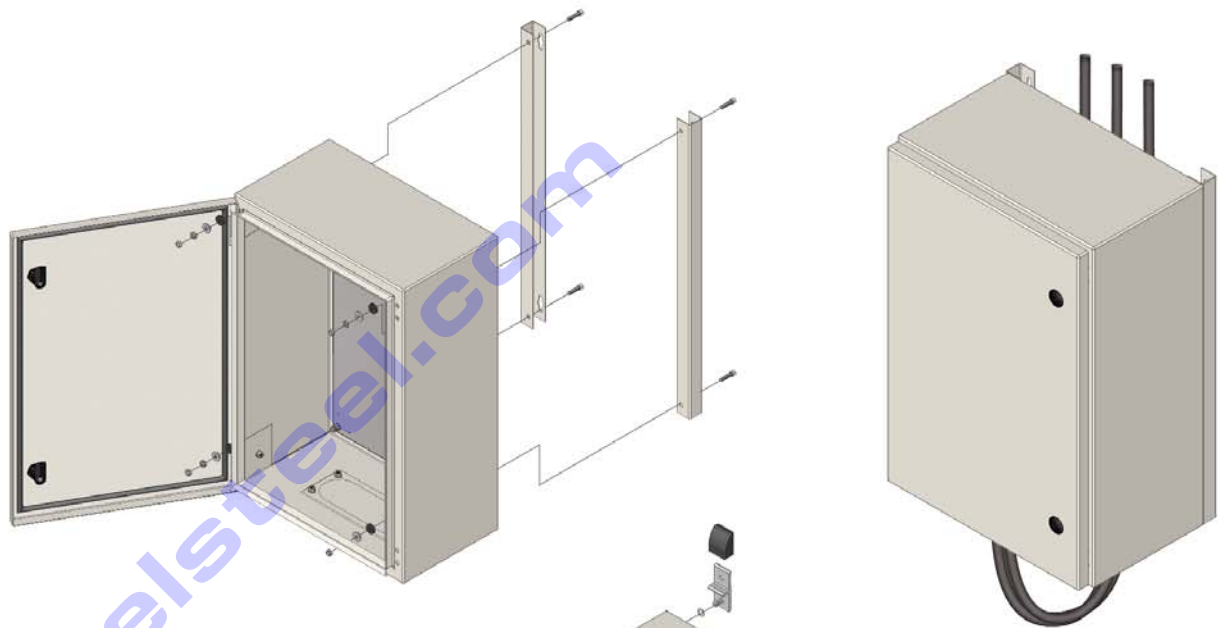
## CANOPY

### REGENDACH

### REGNTAG

TYPE	DESCRIPTION	SIZE (WIDTH × DEPTH)	WEIGHT kg	QTY	ORDER No. RAL 7035 Fine Tex
CAN 3.1.5	CANOPY	300 × 150	1.60	1	52000
CAN 4.1.5	CANOPY	400 × 150	1.93	1	52010
CAN 6.1.5	CANOPY	600 × 150	2.58	1	52020
CAN 3.2	CANOPY	300 × 200	1.91	1	52050
CAN 4.2	CANOPY	400 × 200	2.30	1	52060
CAN 6.2	CANOPY	600 × 200	3.09	1	52070

# INSTRUCTIONS





**DIFFERENT GLANDS**

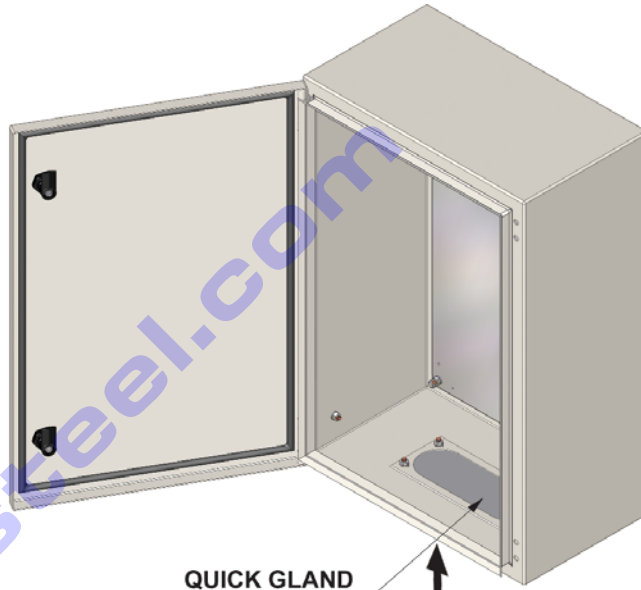
**VERSCHIEDENE FLANSCHEN**

**FORSKELLIGE FLANGER**

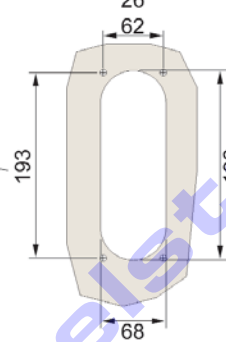
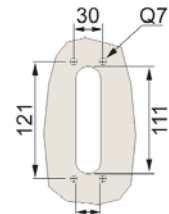
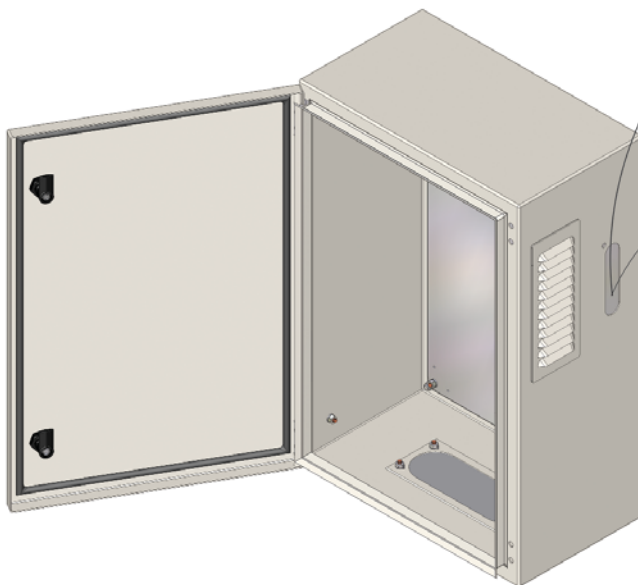
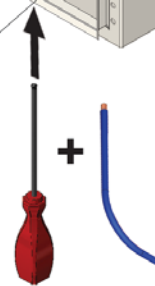
TYPE	DESCRIPTION	SIZE	WEIGHT kg	ORDER No. RAL 7035 Fine Tex.
QG	QUICK GLAND PLATE - FOAM	216 × 86	0.32	14734
SGSG 216	STEEL GLAND WITH STUD	216 × 86	0.32	51005
SGSG 139	STEEL GLAND WITH STUD	139 × 48	0.32	51015
SGHG 216	STEEL GLAND WITH HOLE	216 × 86	0.24	51025
SGHG 139	STEEL GLAND WITH HOLE	139 × 48	0.09	51035
LGSG 216	LOUVER GLAND WITH STUD	216 × 86	0.13	51085
LGSG 139	LOUVER GLAND WITH STUD	139 × 48	0.07	51095
LGHG 216	LOUVER GLAND WITH HOLE	216 × 86	0.13	51105
LGHG 139	LOUVER GLAND WITH HOLE	139 × 48	0.07	51115
AF 216	ARC FILTER	216 × 86	0.24	14894
AF 139	ARC FILTER	139 × 48	0.07	14904

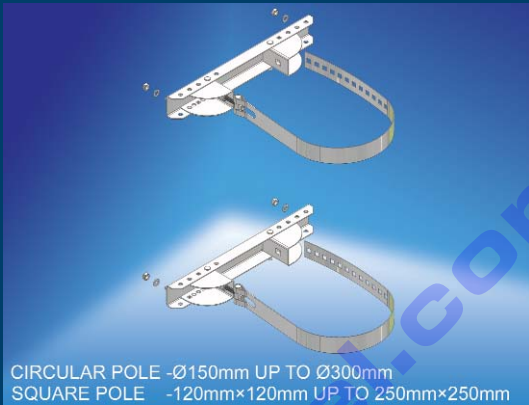


# INSTRUCTIONS



QUICK GLAND  
14734





CIRCULAR POLE - Ø150mm UP TO Ø300mm  
 SQUARE POLE - 120mm×120mm UP TO 250mm×250mm

## POLE MOUNTING SYSTEM

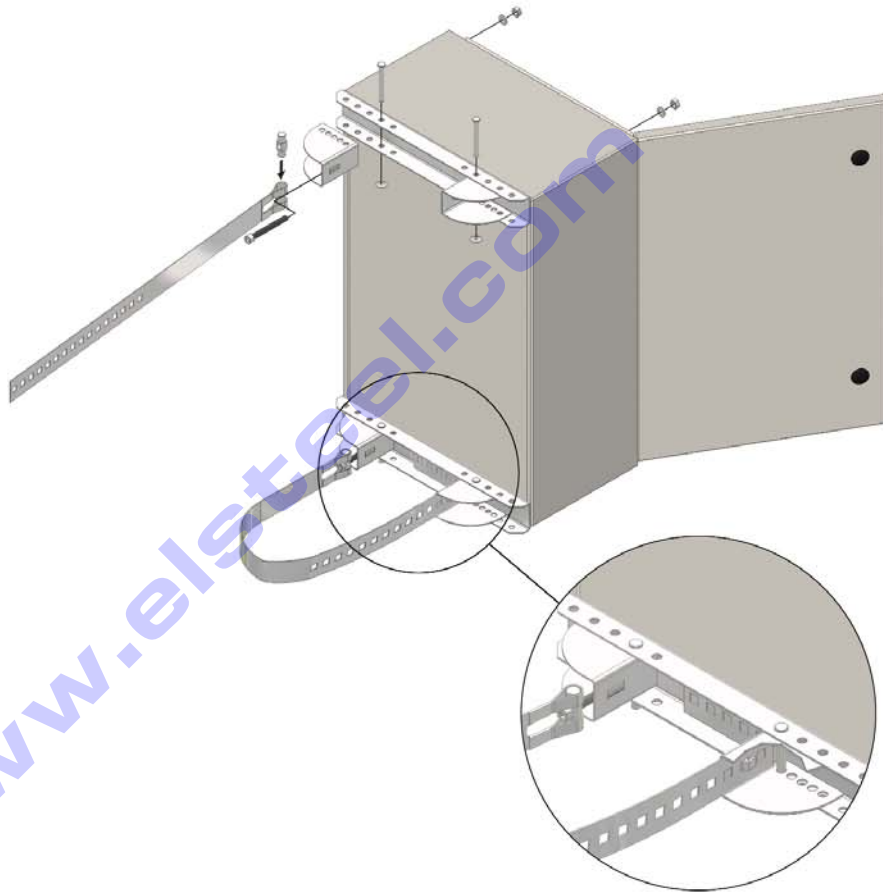
## PFAHL-BEFESTIGUNGS SYSTEM

## MASTE BESLAG

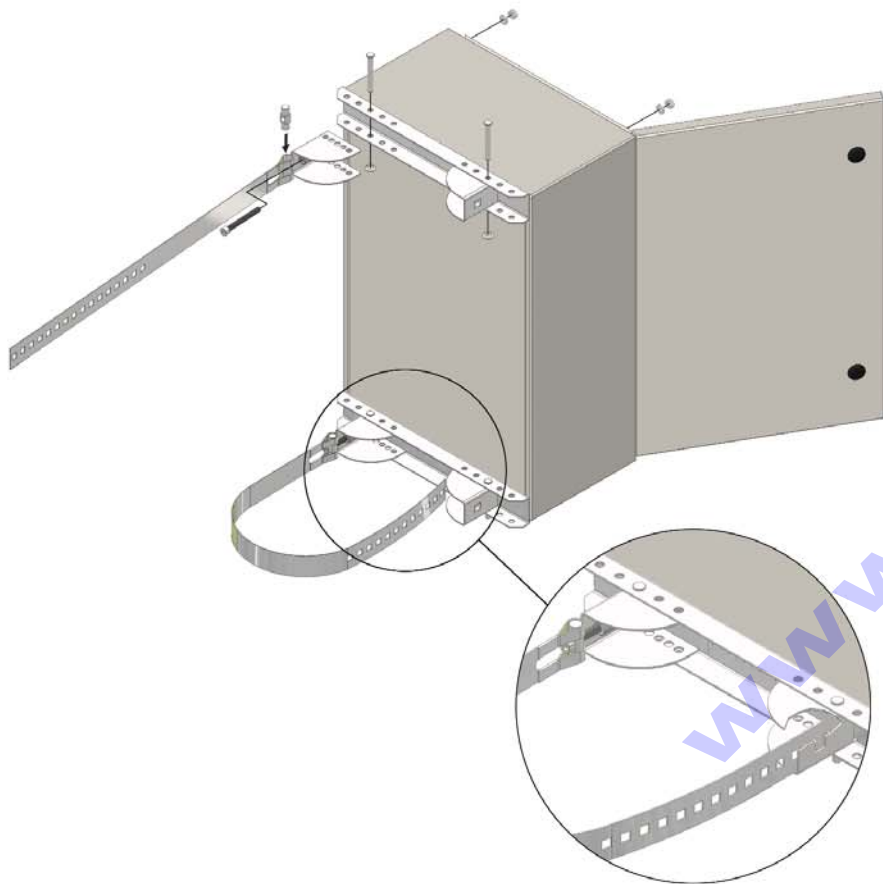
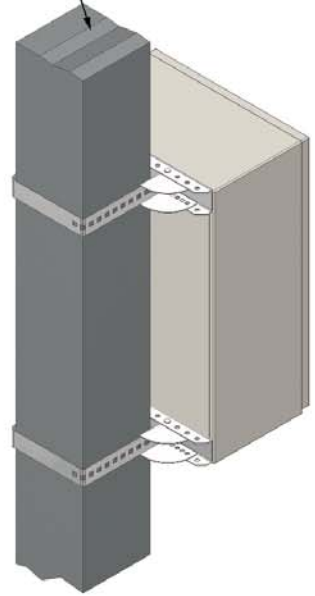
TYPE	DESCRIPTION	BOX (WIDTH)	WEIGHT kg	QTY	ORDER NO
PMS 4	POLE MOUNTING SYSTEM	400		01 SET	50500
PMS 5	POLE MOUNTING SYSTEM	500		01 SET	50505
PMS 6	POLE MOUNTING SYSTEM	600		01 SET	50510
PMS 8	POLE MOUNTING SYSTEM	800		01 SET	50515

Bigger strip sizes on request

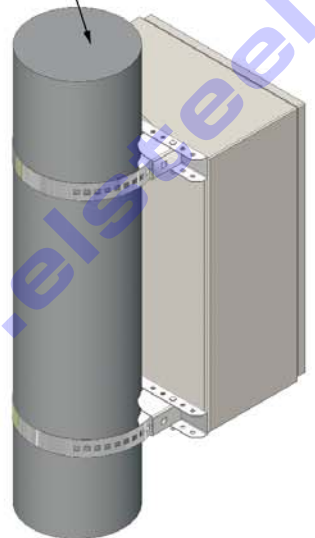
# INSTRUCTIONS

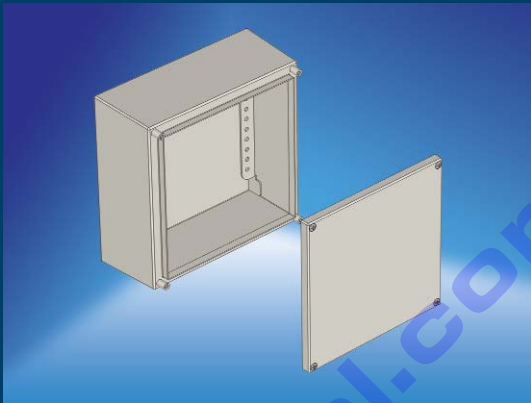


125mm × 125mm  
up to 250mm × 250mm



150mm × 150mm  
up to 300mm × 300mm





## TERMINAL BOX

## KLEMMENKASTEN

## KLEMKASSER

TYPE	DESCRIPTION	SIZE (W×H×D)	WEIGHT kg	QTY	ORDER No. RAL 7035 Fine Tex.
TNB 1,5.1,5-80 V2	TERMINAL BOX	150×150×80	1.39	1	70700
TNB 3.1,5-80 V2	TERMINAL BOX	300×150×80	2.14	1	70710
TNB 2.2-80 V2	TERMINAL BOX	200×200×80	1.98	1	70715
TNB 3.2-80 V2	TERMINAL BOX	300×200×80	2.57	1	70725
TNB 1,5.1,5-120 V2	TERMINAL BOX	150×150×120	1.98	1	70740
TNB 1,75.1,75-120 V2	TERMINAL BOX	175×175×120	2.30	1	70750
TNB 3.1,5-120 V2	TERMINAL BOX	300×150×120	2.84	1	70755
TNB 2.2-120 V2	TERMINAL BOX	200×200×120	2.65	1	70760
TNB 3.2-120 V2	TERMINAL BOX	300×200×120	3.32	1	70770
TNB 4.2-120 V2	TERMINAL BOX	400×200×120	4.00	1	70775
TNB 3.3-120 V2	TERMINAL BOX	300×300×120	4.24	1	70780



## WALL MOUNTING BRACKET

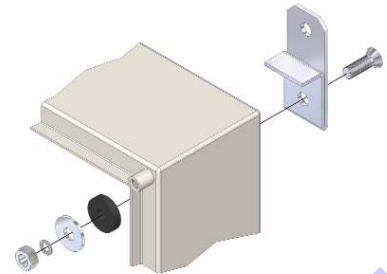
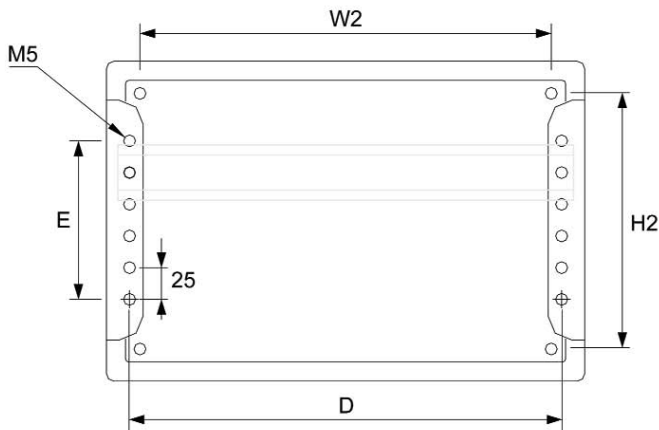
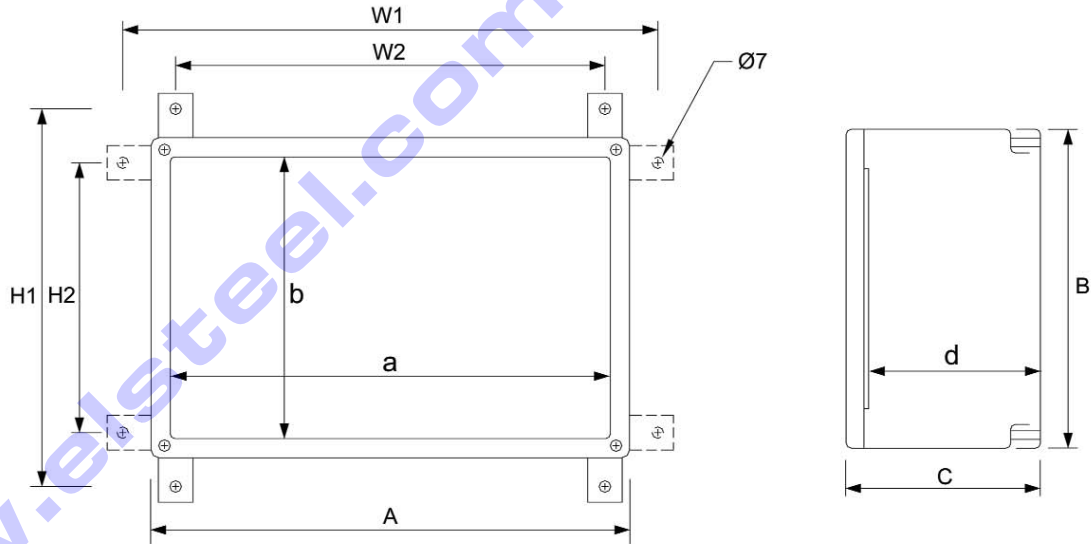
## WANDBESCHLÄGE

## VÆG BESLAG

TYPE	DESCRIPTION	WEIGHT kg	QTY	ORDER No.
TWB	WALL MOUNTING BRACKET	0.16	1 SET	70150

# INSTRUCTIONS

## MAIN DIMENSIONS



TYPE	OVERALL SIZE					OPENING DEPTH			MOUNTING HOLE POSITIONS				WEIGHT kg	ORDER No. RAL 7035 Fine Tex.
	A	B	C	D	E	a	b	d	W1	W2	H1	H2		
TNB 1,5.1,5-80 V2	150	150	80	125	75	125	125	67	190	110	190	110	1.39	70700
TNB 3.1,5-80 V2	300	150	80	275	75	275	125	67	340	260	190	110	2.14	70710
TNB 2.2-80 V2	200	200	80	175	125	175	175	67	240	160	240	160	1.98	70715
TNB 3.2-80 V2	300	200	80	275	125	275	175	67	340	260	240	160	2.57	70725
TNB 1,5.1,5-120 V2	150	150	120	125	75	125	125	107	190	110	190	110	1.98	70740
TNB 1,75.1,75-120 V2	175	175	120	150	100	150	150	107	215	135	215	135	2.30	70750
TNB 3.1,5-120 V2	300	150	120	275	75	275	125	107	340	260	190	110	2.84	70755
TNB 2.2-120 V2	200	200	120	175	125	175	175	107	240	160	240	160	2.65	70760
TNB 3.2-120 V2	300	200	120	275	125	275	175	107	340	260	240	160	3.32	70770
TNB 4.2-120 V2	400	200	120	375	125	375	175	107	440	360	240	160	4.00	70775
TNB 3.3-120 V2	300	300	120	275	225	275	275	107	340	260	340	260	4.24	70780



## STAINLESS STEEL BOX IP66

## EDELSTAHL BOX IP66

## RUSTFRI BOX IP66

Door sizes above 800×1000 supplied with Stiffeners  
All sizes might not be available with your dealer

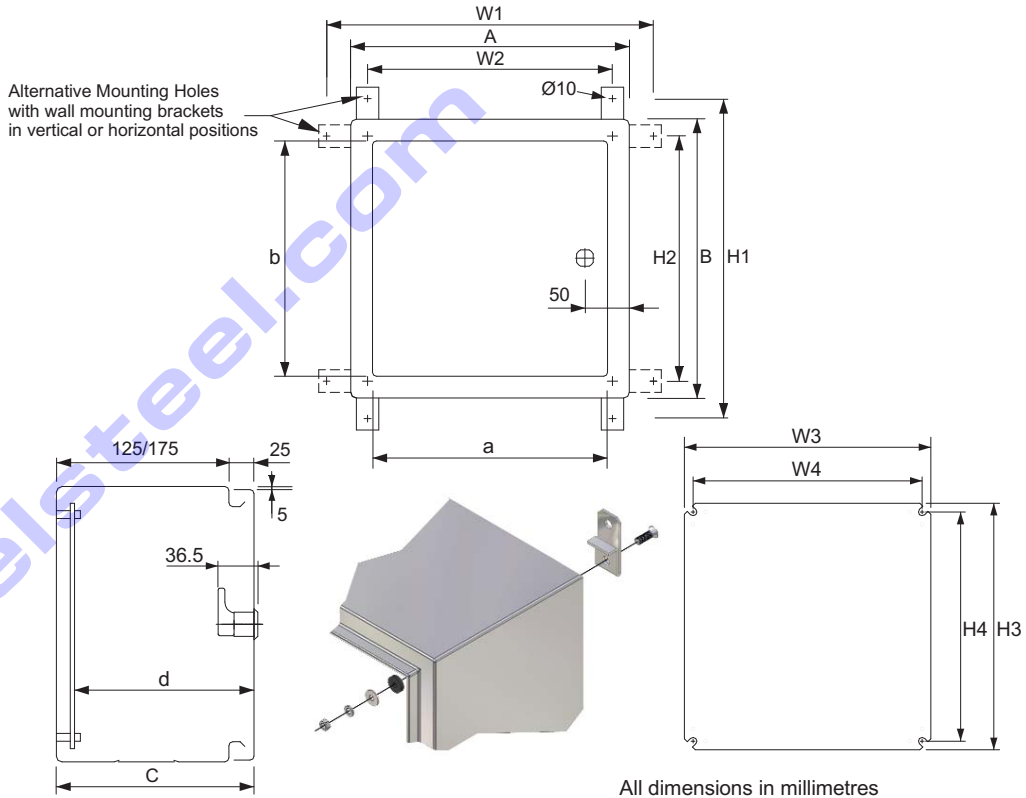
TYPE	SIZE (W×H×D)	LOCKS	WEIGHT kg	QTY	ORDER No. AISI 304	ORDER No. AISI 316
SBOX 2.2-150 V2	200 × 200 × 150	1	4.56	1	63500	64000
SBOX 2.3-150 V2	200 × 300 × 150	1	5.78	1	63505	64005
SBOX 2.5.3-150 V2	250 × 300 × 150	1	6.60	1	63510	64010
SBOX 3.3-150 V2	300 × 300 × 150	1	7.42	1	63515	64015
SBOX 3.3-200 V2	300 × 300 × 200	1	9.16	1	63520	64020
SBOX 3.4-150 V2	300 × 400 × 150	2	9.06	1	63525	64025
SBOX 3.4-200 V2	300 × 400 × 200	2	10.93	1	63630	64030
SBOX 4.3-150 V2	400 × 300 × 150	1	9.06	1	63545	64045
SBOX 4.3-200 V2	400 × 300 × 200	1	10.93	1	63550	64050
SBOX 4.4-150 V2	400 × 400 × 150	2	11.13	1	63555	64055
SBOX 4.4-200 V2	400 × 400 × 200	2	13.13	1	63560	64060
SBOX 4.5-150 V2	400 × 500 × 150	2	13.20	1	63570	64070
SBOX 4.5-200 V2	400 × 500 × 200	2	15.33	1	63575	64075
SBOX 4.5-250 V2	400 × 500 × 250	2	14.12	1	63580	64080
SBOX 4.6-200 V2	400 × 600 × 200	2	17.52	1	63585	64085
SBOX 4.6-250 V2	400 × 600 × 250	2	16.45	1	63590	64090
SBOX 4.7-200 V2	400 × 700 × 200	2	19.72	1	63600	64100
SBOX 5.6-200 V2	500 × 600 × 200	2	20.58	1	63660	64160
SBOX 5.7-200 V2	500 × 700 × 200	2	23.20	1	63665	64165
SBOX 5.7-250 V2	500 × 700 × 250	2	22.38	1	63670	64170
SBOX 6.4-200 V2	600 × 400 × 200	2	17.52	1	63705	64205
SBOX 6.4-300 V2	600 × 400 × 300	2	17.73	1	63710	64210
SBOX 6.5-200 V2	600 × 500 × 200	2	20.58	1	63715	64215
SBOX 6.6-200 V2	600 × 600 × 200	2	23.63	1	63720	64220
SBOX 6.6-300 V2	600 × 600 × 300	2	24.35	1	63730	64230
SBOX 6.7-200 V2	600 × 700 × 200	2	26.68	1	63735	64235
SBOX 6.8-200 V2	600 × 800 × 200	3	29.74	1	63745	64245
SBOX 6.8-250 V2	600 × 800 × 250	3	29.17	1	63750	64250
SBOX 6.8-300 V2	600 × 800 × 300	3	30.97	1	63755	64255
SBOX 6.10-200 V2	600 × 1000 × 200	3	35.84	1	63760	64260
SBOX 6.12-200 V2	600 × 1200 × 200	3	41.0	1	63775	64275
SBOX 8.8-200 V2	800 × 800 × 200	3	37.55	1	63850	64350
SBOX 8.8-300 V2	800 × 800 × 300	3	39.30	1	63855	64355
SBOX 8.10-200 V2	800 × 1000 × 200	3	45.37	1	63860	64360
SBOX 8.10-250 V2	800 × 1000 × 250	3	45.32	1	63865	64365
SBOX 8.10-300 V2	800 × 1000 × 300	3	47.63	1	63870	64370
SBOX 8.12-200 V2	800 × 1200 × 200	3	50.83	1	63875	64375
SBOX 8.12-250 V2	800 × 1200 × 250	3	53.39	1	63880	64380
SBOX 8.12-300 V2	800 × 1200 × 300	3	55.96	1	63885	64385
SBOX 10.10-200 V2	1000 × 1000 × 200	3	52.54	1	63950	64450
SBOX 10.10-300 V2	1000 × 1000 × 300	3	57.67	1	63955	64455
SBOX 10.12-300 V2	1000 × 1200 × 300	3	67.71	1	63960	64460

ALL SIZES MIGHT NOT BE AVAILABLE WITH YOUR DEALER

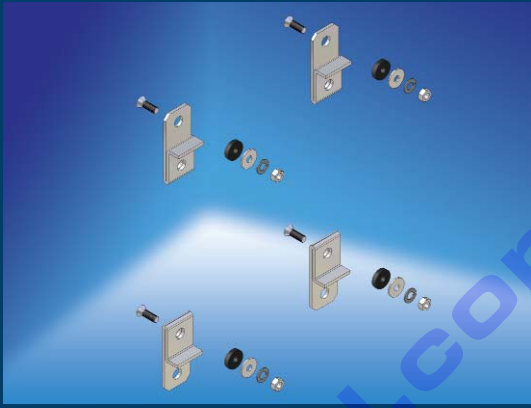
TYPE	DESCRIPTION	QTY	ORDER No. AISI 304	ORDER No. AISI 316
SWB	STAINLESS STEEL WALL MOUNTING BRACKETS	1 SET	60290	60590

# INSTRUCTIONS

## MAIN DIMENSIONS Stainless Steel Box IP66



TYPE	OVERALL SIZE			OPENING DEPTH			MOUNTING HOLE POSITIONS				MOUNTING PLATE HOLE SIZE				LOCKS	WEIGHT kg	ORDER No. AISI 304	ORDER No. AISI 316
	A	B	C	a	b	d	W1	W2	H1	H2	W3	H3	W4	H4				
SBOX 2.2-150 V2	200	200	150	150	150	135	240	160	240	160	148	148	125	125	1	4.56	63500	64000
SBOX 2.3-150 V2	200	300	150	150	250	135	240	160	340	260	148	248	125	225	1	5.78	63505	64005
SBOX 2.5-3-150 V2	250	300	150	200	250	135	290	210	340	260	198	248	175	225	1	6.60	63510	64010
SBOX 3.3-150 V2	300	300	150	250	250	135	340	260	340	260	248	248	225	225	1	7.42	63515	64015
SBOX 3.3-200 V2	300	300	200	250	250	185	340	260	340	260	248	248	225	225	1	9.16	63520	64020
SBOX 3.4-150 V2	300	400	150	250	350	135	340	260	440	360	248	348	225	325	2	9.06	63525	64025
SBOX 3.4-200 V2	300	400	200	250	350	185	340	260	440	360	248	348	225	325	2	10.93	63630	64030
SBOX 4.3-150 V2	400	300	150	350	250	135	440	360	340	260	348	248	325	225	1	9.06	63545	64045
SBOX 4.3-200 V2	400	300	200	350	250	185	440	360	340	260	348	248	325	225	1	10.93	63550	64050
SBOX 4.4-150 V2	400	400	150	350	350	135	440	360	440	360	348	348	325	325	2	11.13	63555	64055
SBOX 4.4-200 V2	400	400	200	350	350	185	440	360	440	360	348	348	325	325	2	13.13	63560	64060
SBOX 4.5-150 V2	400	500	150	350	450	135	440	360	540	460	348	448	325	425	2	13.20	63570	64070
SBOX 4.5-200 V2	400	500	200	350	450	185	440	360	540	460	348	448	325	425	2	15.33	63575	64075
SBOX 4.5-250 V2	400	500	250	350	450	235	440	360	540	460	348	448	325	425	2	14.12	63580	64080
SBOX 4.6-200 V2	400	600	200	350	550	185	440	360	640	560	348	548	325	525	2	17.52	63585	64085
SBOX 4.6-250 V2	400	600	250	350	550	235	440	360	640	560	348	548	325	525	2	16.45	63590	64090
SBOX 4.7-200 V2	400	700	200	350	650	185	440	360	740	660	348	648	325	625	2	19.72	63600	64100
SBOX 5.6-200 V2	500	600	200	450	550	185	540	460	640	560	448	548	425	525	2	20.58	63660	64160
SBOX 5.7-200 V2	500	700	200	450	650	185	540	460	740	660	448	648	425	625	2	23.20	63665	64165
SBOX 5.7-250 V2	500	700	250	450	650	235	540	460	740	660	448	648	425	625	2	22.38	63670	64170
SBOX 6.4-200 V2	600	400	200	550	350	185	640	560	440	360	548	348	525	325	2	17.52	63705	64205
SBOX 6.4-300 V2	600	400	300	550	350	285	640	560	440	360	548	348	525	325	2	17.73	63710	64210
SBOX 6.5-200 V2	600	500	200	550	450	185	640	560	540	460	548	448	525	425	2	20.58	63715	64215
SBOX 6.6-200 V2	600	600	200	550	550	185	640	560	640	560	548	548	525	525	2	23.63	63720	64220
SBOX 6.6-300 V2	600	600	300	550	550	285	640	560	640	560	548	548	525	525	2	24.35	63730	64230
SBOX 6.7-200 V2	600	700	200	550	650	185	640	560	740	660	548	648	525	625	2	26.68	63735	64235
SBOX 6.8-200 V2	600	800	200	550	750	185	640	560	840	760	548	748	525	725	3	29.74	63745	64245
SBOX 6.8-250 V2	600	800	250	550	750	235	640	560	840	760	548	748	525	725	3	29.17	63750	64250
SBOX 6.8-300 V2	600	800	300	550	750	285	640	760	840	760	548	748	525	725	3	30.97	63755	64255
SBOX 6.10-200 V2	600	1000	200	550	950	185	640	560	1040	960	548	948	525	925	3	35.84	63760	64260
SBOX 6.12-200 V2	600	1200	200	550	1150	185	640	560	1040	1160	548	1148	525	1125	3	41.0	63775	64275
SBOX 8.8-200 V2	800	800	200	750	750	185	840	760	840	760	748	748	725	725	3	37.55	63850	64350
SBOX 8.8-300 V2	800	800	300	750	750	285	840	760	840	760	748	748	725	725	3	39.30	63855	64355
SBOX 8.10-200 V2	800	1000	200	750	950	185	840	760	1040	960	748	948	725	925	3	45.37	63860	64360
SBOX 8.10-250 V2	800	1000	250	750	950	235	840	760	1040	960	748	948	725	925	3	45.32	63865	64365
SBOX 8.10-300 V2	800	1000	300	750	950	285	840	760	1040	960	748	948	725	925	3	47.63	63870	64370
SBOX 8.12-200 V2	800	1200	200	750	1150	185	840	760	1240	1160	748	1148	725	1125	3	50.83	63875	64375
SBOX 8.12-250 V2	800	1200	250	750	1150	235	840	760	1240	1160	748	1148	725	1125	3	53.39	63880	64380
SBOX 8.12-300 V2	800	1200	300	750	1150	285	840	760	1240	1160	748	1148	725	1125	3	55.96	63885	64385
SBOX 10.10-200 V2	1000	1000	200	950	950	185	1040	960	1040	960	948	948	925	925	3	52.54	63950	64450
SBOX 10.10-300 V2	1000	1000	300	950	950	285	1040	960	1040	960	948	948	925	925	3	57.67	63955	64455
SBOX 10.12-300 V2	1000	1200	300	950	950	285	1040	960	1240	1160	948	1148	925	1125	3	67.71	63960	64460



**STAINLESS STEEL  
WALL MOUNTING  
BRACKETS**

**EDEL STAHL  
WAND BESHLAG**

**RUSTFRI VÆG BESLAG**

TYPE	DESCRIPTION	QTY	ORDER No. AISI 304	ORDER No. AISI 316
SWB	STAINLESS STEEL WALL MOUNTING BRACKETS	1 SET	60290	60590



**STAINLESS STEEL  
KNOB LOCK**

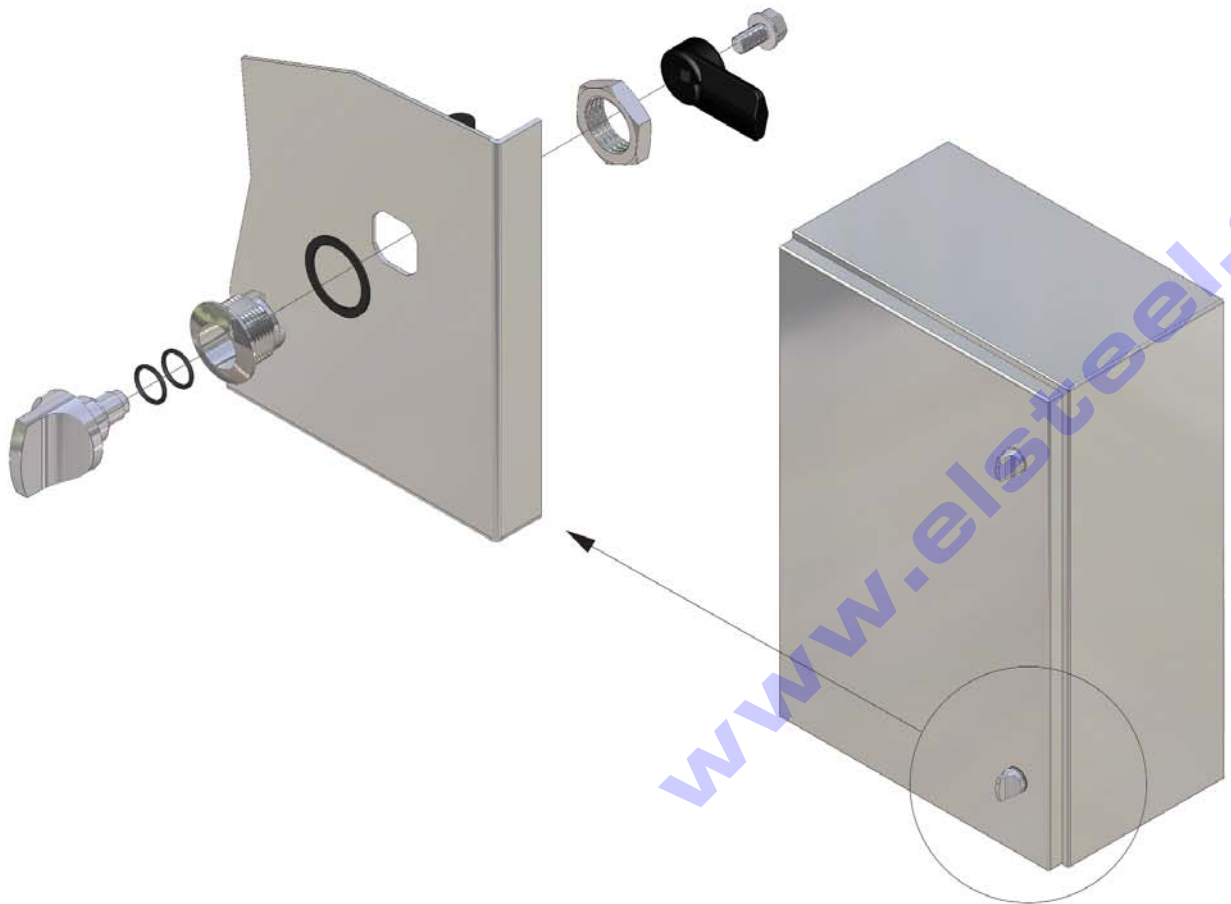
**EDEL STAHL  
HAND GRIFF**

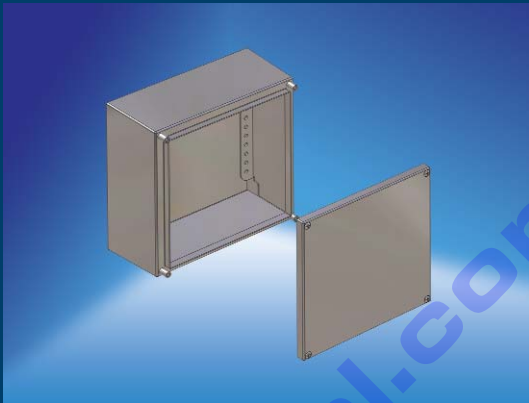
**RUSTFRI VRIDE LÅS**

TYPE	DESCRIPTION	WEIGHT kg	QTY	ORDER No.
SSKL	STAINLESS STEEL KNOB LOCK	0.06	1	60295



# INSTRUCTIONS





## STAINLESS STEEL TERMINAL BOX IP66

## EDELSTAHL KLEMMENKASTEN IP66

## RUSTFRI KLEMKASSER IP66

TYPE	DESCRIPTION	SIZE (W×H×D)	WEIGHT kg	QTY	ORDER No. AISI 304	ORDER No. AISI 316
STNB 1,5.1,5-80 V2	TERMINAL BOX	150×150×80	1.71	1	72000	72100
STNB 3.1,5-80 V2	TERMINAL BOX	300×150×80	2.63	1	72005	72105
STNB 2.2-80 V2	TERMINAL BOX	200×200×80	2.43	1	72010	72110
STNB 3.2-80 V2	TERMINAL BOX	300×200×80	3.17	1	72015	72115
STNB 1,5.1,5-120 V2	TERMINAL BOX	150×150×120	2.44	1	72030	72130
STNB 1,75.1,75-120 V2	TERMINAL BOX	175×175×120	2.00	1	72035	72135
STNB 3.1,5-120 V2	TERMINAL BOX	300×150×120	3.52	1	72040	72140
STNB 2.2-120 V2	TERMINAL BOX	200×200×120	3.26	1	72045	72145
STNB 3.2-120 V2	TERMINAL BOX	300×200×120	4.11	1	72050	72150
STNB 4.2-120 V2	TERMINAL BOX	400×200×120	4.96	1	72055	72155
STNB 3.3-120 V2	TERMINAL BOX	300×300×120	5.26	1	72060	72160



## STAINLESS STEEL WALL MOUNTING BRACKET

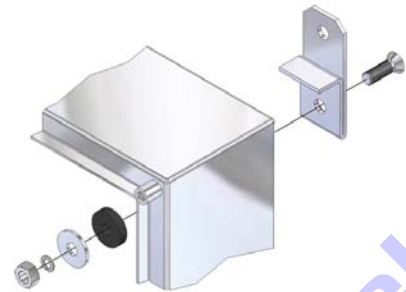
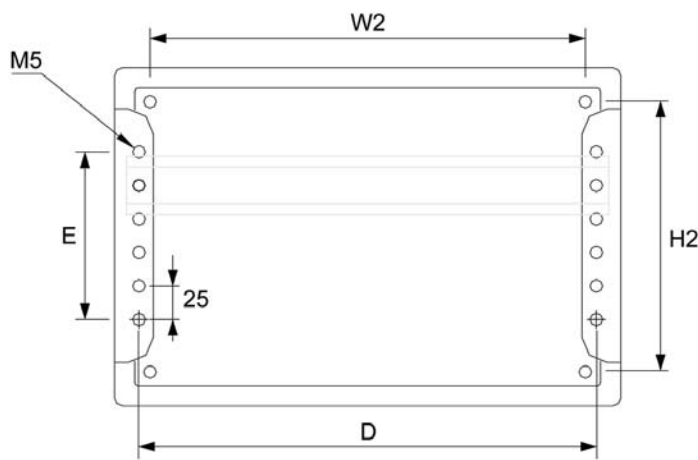
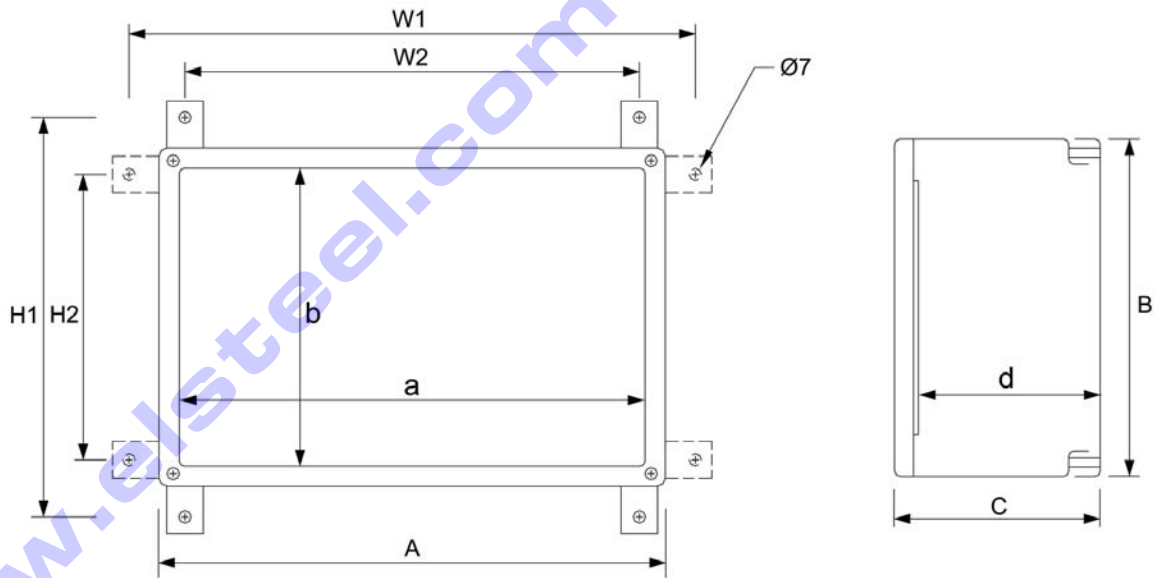
## WANDBESCHLÄGE

## VÆG BESLAG

TYPE	DESCRIPTION	QTY	ORDER No. AISI 304	ORDER No. AISI 316
STWB	STAINLESS STEEL WALL MOUNTING BRACKETS	1 SET	70350	70550

# INSTRUCTIONS

## MAIN DIMENSIONS



TYPE	OVERALL SIZE					OPENING DEPTH			MOUNTING HOLE POSITIONS				WEIGHT kg	ORDER No. AISI 304	ORDER No. AISI 316
	A	B	C	D	E	a	b	d	W1	W2	H1	H2			
STNB 1.5.1.5-80 V2	150	150	80	125	75	125	125	67	190	110	190	110	1.71	72000	72100
STNB 3.1.5-80 V2	300	150	80	275	75	275	125	67	340	260	190	110	2.63	72005	72105
STNB 2.2-80 V2	200	200	80	175	125	175	175	67	240	160	240	160	2.43	72010	72110
STNB 3.2-80 V2	300	200	80	275	125	275	175	67	340	260	240	160	3.17	72015	72115
STNB 1.5.1.5-120 V2	150	150	120	125	75	125	125	107	190	110	190	110	2.44	72030	72130
STNB 1.75.1.75-120 V2	175	175	120	150	100	150	150	107	215	135	215	135	2.00	72035	72135
STNB 3.1.5-120 V2	300	150	120	275	75	275	125	107	340	260	190	110	3.52	72040	72140
STNB 2.2-120 V2	200	200	120	175	125	175	175	107	240	160	240	160	3.26	72045	72145
STNB 3.2-120 V2	300	200	120	275	125	275	175	107	340	260	240	160	4.11	72050	72150
STNB 4.2-120 V2	400	200	120	375	125	375	175	107	440	360	240	160	4.96	72055	72155
STNB 3.3-120 V2	300	300	120	275	225	275	275	107	340	260	340	260	5.26	72060	72160



**STAINLESS STEEL  
BOX IP69K**

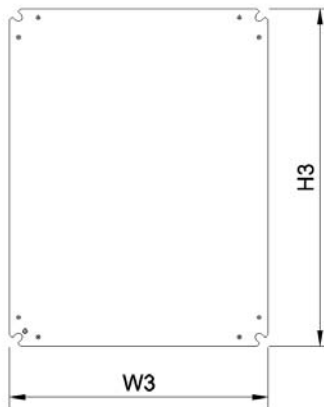
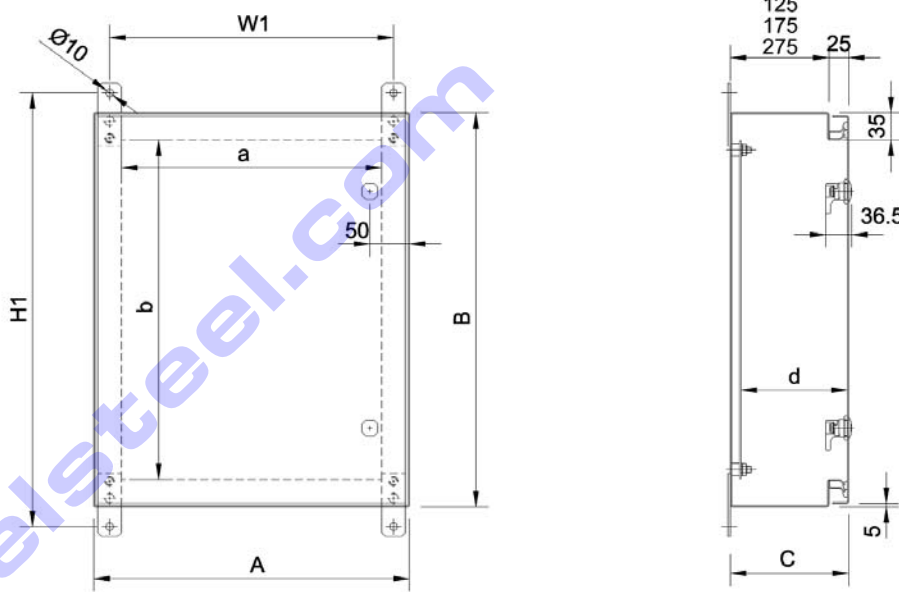
**EDELSTAHL-GEHÄUSE IP69K**

**RUSTFRI  
BOX IP69K**

TYPE	SIZE (W×H×D)	LOCKS	WEIGHT kg	QTY	ORDER No. AISI 304	ORDER No. AISI 316
SBOX-69K 3.3-200	300 × 300 × 200	1	9.16	1	63008	63208
SBOX-69K 3.4-200	300 × 400 × 200	2	10.93	1	63012	63212
SBOX-69K 4.3-200	400 × 300 × 200	1	10.93	1	63016	63216
SBOX-69K 4.4-200	400 × 400 × 200	2	13.13	1	63020	63220
SBOX-69K 4.5-150	400 × 500 × 150	2	13.20	1	63022	63222
SBOX-69K 4.6-200	400 × 600 × 200	3	17.52	1	63028	63228
SBOX-69K 5.5-200	500 × 500 × 200	5	20.58	1	63033	63233
SBOX-69K 5.6-200	500 × 600 × 200	5	21.80	1	63034	63234
SBOX-69K 5.6-300	500 × 600 × 300	5	23.20	1	63035	63235
SBOX-69K 6.4-200	600 × 400 × 200	4	17.52	1	63040	63240
SBOX-69K 6.6-200	600 × 600 × 200	5	23.63	1	63046	63246
SBOX-69K 6.6-300	600 × 600 × 300	5	24.35	1	63048	63248
SBOX-69K 6.8-300	600 × 800 × 300	5	30.97	1	63056	63256

# INSTRUCTIONS

## MAIN DIMENSIONS Stainless Steel Box IP69K



TYPE	OVERALL SIZE			OPENING DEPTH			MOUNTING HOLE POSITIONS		MOUNTING PLATE SIZE		LOCKS	WEIGHT kg	ORDER No. AISI 304	ORDER No. AISI 316
	A	B	C	a	b	d	W1	H1	W3	H3				
SBOX-69K 3.3-200	300	300	200	230	230	185	260	350	228	228	1	9.16	63008	63208
SBOX-69K 3.4-200	300	400	200	230	330	185	260	450	228	328	2	10.93	63012	63212
SBOX-69K 4.3-200	400	300	200	330	230	185	360	350	328	228	1	10.93	63016	63216
SBOX-69K 4.4-200	400	400	200	330	330	185	360	450	328	328	2	13.13	63020	63220
SBOX-69K 4.5-150	400	500	150	330	430	135	360	550	328	428	2	13.20	63022	63222
SBOX-69K 4.6-200	400	600	200	330	530	185	360	650	328	528	3	17.52	63028	63228
SBOX-69K 5.5-200	500	500	200	430	430	185	460	550	428	428	5	20.58	63033	63233
SBOX-69K 5.6-200	500	600	200	430	530	185	460	650	428	528	5	21.80	63034	63234
SBOX-69K 5.6-300	500	600	300	430	530	285	460	650	428	528	5	23.20	63035	63235
SBOX-69K 6.4-200	600	400	200	530	330	185	560	450	528	328	4	17.52	63040	63240
SBOX-69K 6.6-200	600	600	200	530	530	185	560	650	528	528	5	23.63	63046	63246
SBOX-69K 6.6-300	600	600	300	530	530	285	560	650	528	528	5	24.35	63048	63248
SBOX-69K 6.8-300	600	800	300	530	730	285	560	850	528	728	5	30.97	63056	63256

# CERTIFICATION



**CERTIFICATE OF Manufacturing Assess**

This is to Certify that a representative of this Bureau did, a **ELSTEEL (PVT) LTD**

Attend their facilities at the location noted above, in order to carry out an as and associated quality assurance and quality control procedures. The facility is capable of consistently manufacturing:

**Power Distribution Module**

In compliance with their ABS Product Design Assessment Certificate standards defined therein. The product listed on their current Product Certificate is eligible to be placed on this Bureau's List of Type Approved annual facility audits by a representative of this Bureau, and renewal of this (5) years.

ISSUE DATE: 18-Jun-10 EXPIRATION DATE: 18-Jun-15


FIRST ANNUAL ENDORSEMENT: [Signature] DATE: 18-Jun-11

SECOND ANNUAL ENDORSEMENT: [Signature] DATE: 18-Jun-12

THIRD ANNUAL ENDORSEMENT: [Signature] DATE: 18-Jun-13

FOURTH ANNUAL ENDORSEMENT: [Signature] DATE: 18-Jun-14

NOTE: This certificate evidences compliance with one or more of the Rules, Codes, standards, or other Bureau of Shipping or a statutory, industrial or manufacturer's standard, and is issued solely for the committee, its client, or other judicial bodies. This certificate is governed by the terms and conditions of the ABS Rules.



**Type Approval Certificate Extension**

This is to certify that Certificate No. 02/7000(E) for the undernoted products is extended.

This certificate is issued to:

**PRODUCER:** Elstel Denmark A/S, Fabrikvej 12, DK-3000 Helsingør, Denmark

**PLACE OF PRODUCTION:** Elstel Ltd, Spur Road 2, EPZ, Katunayake, Sri Lanka

**DESCRIPTION:** Low voltage modular switchboard assemblies

**TYPE:** Techno-module modular system for 690V, 50-63 2000A.

**APPLICATION:** SSC made from stainless steel cabinets.

**STANDARD:** Type tested to EN 60439-1:1994 Enclosure protection IP 42 to EN 60529 (Switchgear Enclosure protection IP66 to EN 60529 (S&C) RoHS)

**RATINGS:** For switchboard assemblies having different configuration and/or enclosure protection different assemblies, the actual properties may be derived on the tested items.

Certificate No. 02/7000(E)  
Issue Date: 29 October 2007  
Expiry Date: 17 April 2012  
Sheet: 1 of 2

Copenhagen

Российский Морской Регистр Судоходства  
RUSSIAN MARITIME REGISTER OF SHIPPING

**СВИДЕТЕЛЬСТВО О ТИПОВОМ ОДОБРЕНИИ  
TYPE APPROVAL CERTIFICATE**

Издательство: **ELSTEEL (PVT) LTD.**  
Адрес: **Spur Road 2, Phase 1, EPZ, Katunayake, Sri Lanka**

Имя/Имя\*  
Продукт\*  
**Модуль высоковольтных распределительных щитов и модуль "TECHNO MODULE", "TECHNO MODULE LIGHT", "BOXES-MS/SS".  
Low-voltage switchgear and controlgear assemblies "TECHNO MODULE", "TECHNO MODULE LIGHT", "BOXES-MS/SS".**

Код классификации: **11190000**  
Срок действия: **24.03.2015**

Исключение: **Исключение: Свидетельство о типовом одобрении не распространяется на изделия, изготовленные в соответствии с требованиями стандартов и технических условий. This Type Approval Certificate becomes invalid in cases stipulated in the above mentioned items (complexity) with the agreement of Russian Maritime Register of Shipping.**

Правила классификации и постройки морских судов, часть XI, издание 2010 г.  
Rules for the Classification and Construction of Sea-Going Ships, Part XI, Edition 2010.

Исходное Свидетельство о типовом одобрении действительно до: **24.03.2015**  
This Type Approval Certificate is valid until

Исключение: Свидетельство о типовом одобрении не распространяется на изделия, изготовленные в соответствии с требованиями стандартов и технических условий. This Type Approval Certificate becomes invalid in cases stipulated in the above mentioned items (complexity) with the agreement of Russian Maritime Register of Shipping.

Дата выдачи: **24.03.2010** №: **10.0001.270**

Подпись: **Иванов А.А. / A.Ivanov**  
Russian Maritime Register of Shipping

**Certificate of Compliance**

Certificate: 16/2413 Master Contract  
Project: 1602166 Date Issued:  
Issued to: **ELSTEEL LTD.**  
Spur Road 2  
Investment Promotion Zone  
Katunayake  
Sri Lanka  
Attention: Mr. Ajin Karapero

The products listed below are eligible to bear the CSA with adjacent indicators 'C' and 'US'

Issued by: T. Mouton  
Authorized by: Gilbert Lory Group Mass

**PRODUCTS**  
CLASS 3211 87 - INDUSTRIAL CONTROL EQUIPMENT - Miscellaneous Apparatus  
Certified to US Standards  
CLASS 3211 87 - INDUSTRIAL CONTROL EQUIPMENT - Miscellaneous Apparatus  
Stainless steel boxes and terminal boxes, Cat Nos SMOX\*\*\* and S1NB\*\*\*, CSA Type 4A industrial control equipment, dimensions as per report.  
Painted steel boxes and terminal boxes, Cat Nos ROX\*\*\* and TNB\*\*\*, CSA Type 44X industrial control equipment, dimensions as per report.

16/2413 Rev. 00/06/08

**DET NORSKE VERITAS**  
MANAGEMENT SYSTEM CERTI

Certificate No. 1695-2007 AQ UKA R/A Rev. 01

This is to certify that **ELSTEEL LTD.** at Spur Road 2, EPZ, Katunayake, SRI LANKA has been found to conform to the Quality Management System Standard **ISO 9001:2008**

This certificate is valid concerning all activities related to: **DESIGN AND MANUFACTURE OF TYPE TESTED MODULAR SWITCHBOARDS AND DISTRIBUTION BOXES**

Initial Certification Date: 17 December 2007  
This certificate is valid until: 17 December 2012

The audit has been performed under the supervision of: **Kullasingham Vivekanandan**

Place: **Copenhagen, DT**  
For the: **DET NORSKE VERITAS**

Blapp Management

**DET NORSKE VERITAS**  
VERIFICATION OF PRODUCT DECLARATIONS

Certificate No. 2006-India-RoHS-0001

Application of the Council Directive 2002/95/EC on the restriction of the use of certain hazardous substances in the electrical and electronic equipment

This is to certify that the following products: **Powder Coated Box / Stainless Steel Box** (As listed on Appendix of this certificate)

Manufactured by: **ELSTEEL LTD.** at Spur Road 2, EPZ, Katunayake, Sri Lanka

Validation of the certificate are subject to: the compliance to the surveillance requirements, continuation of production as stipulated in the appendix of the certificate

Original certificate valid from: **June 14, 2006**

Management Representative: **Sangam Hwa**

# TESTS

TEST PERFORMED	CERTIFICATION AUTHORITY	CERTIFICATE REFERENCE
<b>Box Enclosures</b>		
01. Certificate of compliance for Painted Steel Boxes and Terminal Boxes comply to UL 50 Type 4, 4X, 12 and CSA 94  Certificate of compliance for Stainless Steel Boxes and Terminal Boxes comply to UL 50 Type 4, 4X, 12, 13 and CSA 94	CSA	227808
02. Degree of Protection Test (IPH) for Stainless Steel Box enclosure Test passed for IP 69K	IPH	1819.1575.7.619
03. Degree of Protection Test (IP Test) for Mild Steel Box enclosure Test passed for IP 65	UL	129169-02/A1
04. Degree of Protection Test (IP Test) for Stainless Steel Box enclosure Test passed for IP 66	DEMKO	93/53 BTh
05. Lloyd's Register Type Approval Certificate for Marine, Offshore and industrial application of Stainless Steel Enclosures & 19" cabinets.	LLOYD'S REGISTER	02/70003 (E1)
06. ABS Type Approval Certificate for Shipboard and Associated Marine & Offshore installations.	ABS	08-SG366750-PDA
07. Russian Maritime Register of Shipping Type approval certificate for SS and MS Boxes for marine use.	Russian Maritime Register of Shipping	10.00001.270

## MATERIAL SPECIFICATION

<b>MS Box (IP65)</b> - Box 2×2×150 to 4×3×200 - Box 4×4×150 to 4×6×250 - Box above 4×7×200 - Mounting Plate	Mild steel 1mm textured epoxy / polyester in grey (RAL 7032) Mild steel 1.2mm textured epoxy / polyester in grey (RAL 7032) Mild steel 1.5mm textured epoxy / polyester in grey (RAL 7032) Alu-zinc 2mm
<b>MS Terminal Box (IP55)</b> - Mounting Rails	Mild steel 1.2mm powder coated in grey (RAL 7032) Alu-zinc 2mm
<b>SS Box (IP66)</b> - Box 2×2×150 to 6×6×200 - Box above 6×6×300 - Mounting Plate	Stainless steel 1.2mm (AISI 304, AISI 316) Wet grinding (180) Stainless steel 1.5mm (AISI 304, AISI 316) Wet grinding (180) Alu-zinc 2mm
<b>SS Terminal Box (IP66)</b> - Mounting Rails	Stainless steel 1.5mm (AISI 304, AISI 316) Wet grinding (180) Alu-zinc 2mm
<b>SS Floor Standing Enclosure (IP65)</b>	Stainless steel 2mm (AISI 304, AISI 316) Wet grinding (180)

## EUROPE

**Elsteel UK - England**  
Tel: ++44 197 885 5909  
Fax: ++44 197 885 5824  
Mail: sales@elsteel.co.uk

**Elsteel Ltd. - Poland**  
Tel: ++48 77 465 4666  
Fax: ++48 77 465 4674  
Mail: elsteel@elsteel.pl

**Elsteel Ltd. - Ireland**  
Tel: ++44 289 077 4041  
Fax: ++44 289 078 3197  
Mail: ghavlin@parkelect.co.uk

**Envolventes Elsteel - Spain**  
Tel: ++34 95 567 5988  
Fax: ++34 95 567 5987  
Mail: josemanuel@elsteel\_iberica.com

**EFA Elektro AS - Norway**  
Tel: ++47 6 681 2400  
Fax: ++47 6 680 0478  
Mail: geir.sogn@efa.no

**RS Components Ltd. - England**  
Tel: ++44 1536 20 1234  
Fax: ++44 1536 20 1501  
Web: www.rswww.com

**BMC Manufacturing - Ireland**  
Tel: ++353 1 835 1744  
Fax: ++353 1 835 2359  
Mail: info@bmcmsg.ie

**TMS GmbH - Germany**  
Tel: ++49 4554 705 6500  
Fax: ++49 4554 705 6503  
Mail: info@technomodul.de

**Kulik Telecom B. V. - Netherlands**  
Tel: ++31 182 61 8777  
Fax: ++31 182 61 6064  
Mail: info@kulik.nl

**Rafmidlun hf - Iceland**  
Tel: ++354 540 3500  
Fax: ++354 540 3501  
Mail: kolbeinn@rafmidlun.is

**N. N. Control Panels Ltd. - Cyprus**  
Tel: ++357 25 71 4816  
Fax: ++357 25 71 4415  
Mail: info@nncontrolpanels.com

**Culic Elektro Centar - Croatia**  
Tel: ++38 5 2120 4333  
Fax: ++38 5 2120 4343  
Mail: niksa@culicec.hr

**Coelco Trade SRL - Romania**  
Tel: ++40 21 310 0961  
Fax: ++40 21 310 0959  
Mail: catalin.caciuleanu@coelco.ro

**Elektra-Bree-Bordenbouw nv - Belgium**  
Tel: ++32 8941 0041  
Fax: ++32 8941 0049  
Mail: koen.geebelen@ebbordenbouw.be

## EUROPE - Contd.

**Alewijnse Panelenbouw B.V. - Netherlands**  
Tel: ++31 243 716 511  
Fax: ++31 243 716 510  
Mail: e.borren@alewijnse.nl

**Montakon - Netherlands (Box Items)**  
Tel: ++31 73 599 6000  
Fax: ++31 73 599 6060  
Mail: michiel.janssen@montakon.nl

**Cebco Limited - Czech Republic**  
Tel: ++420 604 645 648  
Mail: info@cebco.cz  
Mail: cebco@seznam.cz

**UAB Electric Box - Lithuania**  
Tel: ++370 45 580 242  
Fax: ++370 45 580 242  
Mail: saulius@electricbox.lt

## AUSTRALIA

**IPD Group Ltd. - Australia & New Zealand**  
Tel: ++61 2 9645 0777  
Fax: ++61 2 9645 1608  
Mail: brian.rodicks@ipdgroup.com.au

## MIDDLE EAST

**Voltamp Energy SAOG - Oman**  
Tel: ++968 2 444 9140  
Fax: ++968 2 444 6584  
Mail: pronab@voltampoman.com

**Sharikah Fanniyah Omaniya Ltd. - Oman**  
Tel: ++968 2 481 5970  
Fax: ++968 2 481 0706  
Mail: sfoelect@omantel.net.om

**Bloudan Control Systems Industry - Dubai**  
Tel: ++971 4 339 0499  
Fax: ++971 4 339 1553  
Mail: arun@bcsdubai.com

**Power & Control Fzco - Dubai**  
Tel: ++971 4 883 0391  
Fax: ++971 4 883 0392  
Mail: rami@pnc-ae.com

**SAS Power Industries - Dubai**  
Tel: ++971 7 244 7278  
Fax: ++971 7 244 7689  
Mail: v.joshi@switchauto-pi.com

**Al Bonian International - Lebanon**  
Tel: ++961 6 40 0195  
Fax: ++961 6 40 0192  
Mail: mamalek@albonian-intl.com

**Saudi United for Mech. Elec. - Saudi Arabia**  
Tel: ++966 1 265 2953  
Fax: ++966 1 265 2443  
Mail: syed-muneer@eco.com.sa

**Jawad Electric Switchgear Mfg. - Jordan**  
Tel: ++962 6 488 5617  
Fax: ++962 6 489 1481  
Mail: b\_hindi@go.com.jo

**Schneider Electrical Engineering Ltd - Israel**  
Tel: ++972 4 609 4433  
Fax: ++972 4 649 2216  
Mail: oded@sche.co.il

## MIDDLE EAST - Contd.

**PAC International - Qatar**  
Tel: ++974 699 6445  
Fax: ++974 469 0364  
Mail: mazen\_harb@harbelectric.com

**Electro-Mechanical Enterprises - Qatar**  
Tel: ++974 468 4157  
Fax: ++974 468 4207  
Mail: info@emeg.com.qa

**KG Switchgear - Qatar**  
Tel: ++974 416 5836  
Fax: ++974 416 5837  
Mail: kumar@kgswitchgear.com

**Electrical Poles & Lighting Ind.Co. - Kuwait**  
Tel: ++965 247 63644  
Fax: ++965 247 26730  
Mail: cecil.varghese@keplic.com.kw

## ASIA

**Elsteel Ltd. - Sri Lanka**  
Tel: ++94 11 225 2485  
Fax: ++94 11 225 2698  
Mail: elsteel@elsteel.com

**Elsteel Modular Products (Pvt) Ltd. - India**  
Tel: ++91 832 661 1111  
Fax: ++91 832 661 1112  
Mail: elsteel@elsteel.in

**Elsteel Ltd. - India**  
Tel: ++91 80 2351 9747  
Fax: ++91 80 2351 9757  
Mail: nishith@elsteel.com

**Elsteel Techno - Singapore & Malaysia**  
Tel: ++65 645 546 98  
Fax: ++65 645 591 31  
Mail: elsteel@singnet.com.sg

**Fudo Automation Systems - Hyderabad, India**  
Tel: ++91 40 2004 0814  
Fax: ++91 40 2754 4075  
Mail: fudo@rediffmail.com

**Neptune Systems (Pvt) Ltd. - India**  
Tel: ++91 120 306 9000  
Fax: ++91 120 306 9042  
Mail: dk@neptuneindia.com

## AFRICA

**Elsteel Ltd. - South Africa**  
Tel: ++27 11 383 8300  
Fax: ++27 11 824 1353  
Mail: sales@elsteel.co.za

**M & E Commercial Engineers Ltd.- Mauritius**  
Tel: ++230 670 5201  
Fax: ++230 670 5200  
Mail: mec.eng@intnet.mu

**Specialised Power Systems Ltd. - Kenya**  
Tel: ++254 20 207 7219  
Fax: ++254 20 353 2986  
Mail: specialised@wananchi.com

## CIS

**JSC Electronmash - Russia**  
Tel: ++781 2 320 1262  
Fax: ++781 2 320 1262  
Mail: alexeev@electronmash.ru